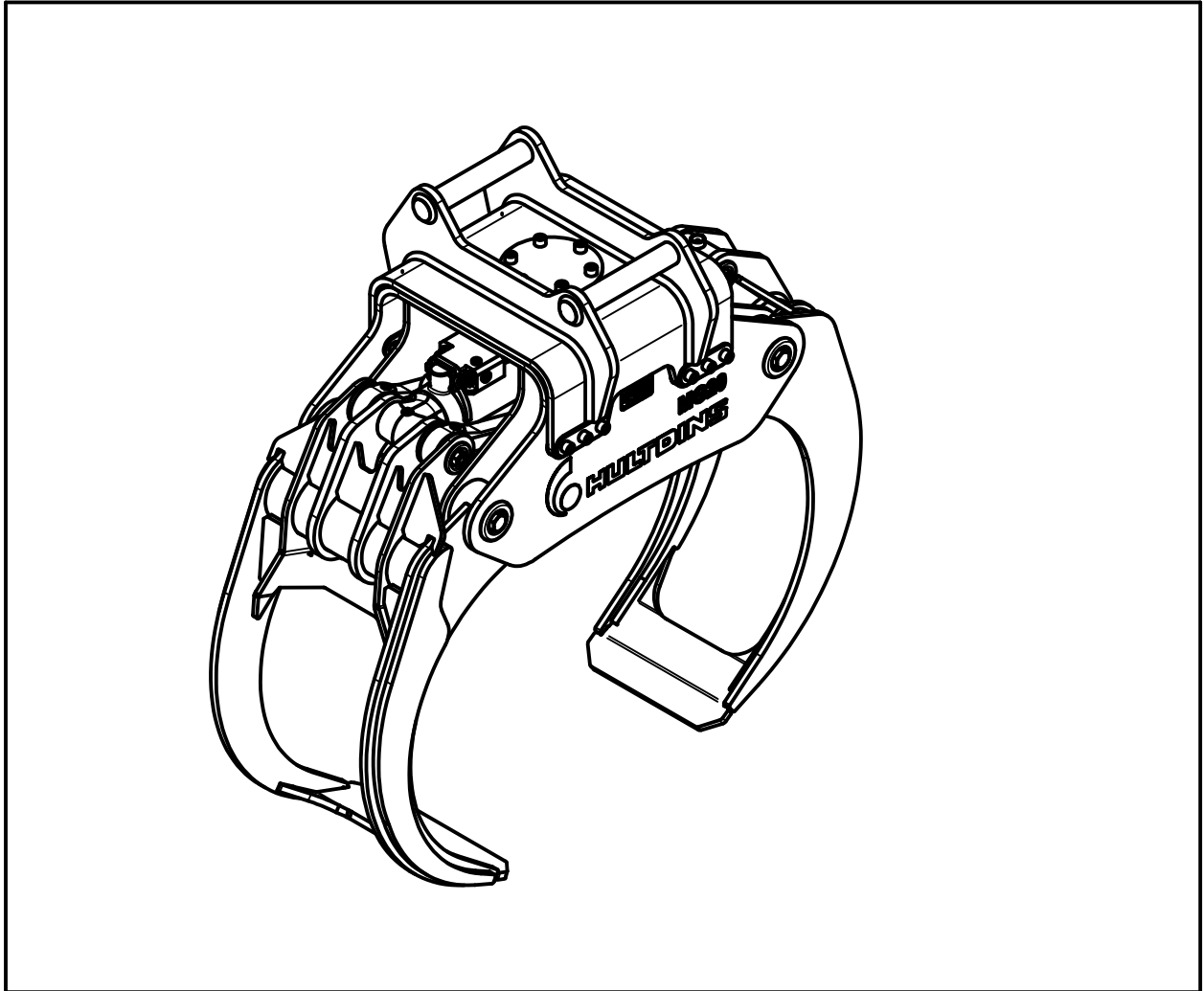


HULTDINS MultiGrip



2011-01-26

Rev. 00

Doc.Nr. 7734802-EN

Utg. 01-11

English

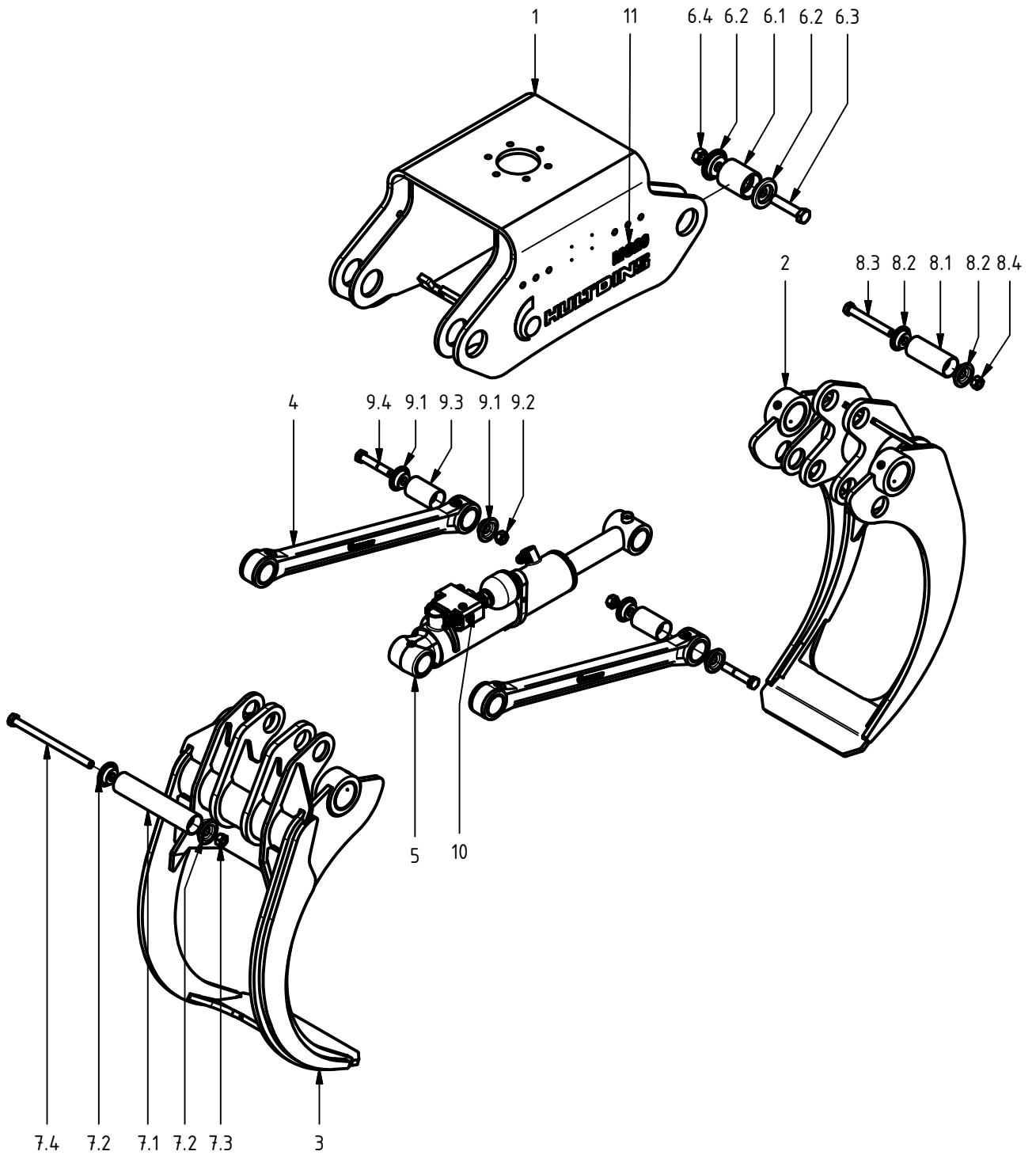
MultiGrip 20 / S50

Spare Parts manual

0734802

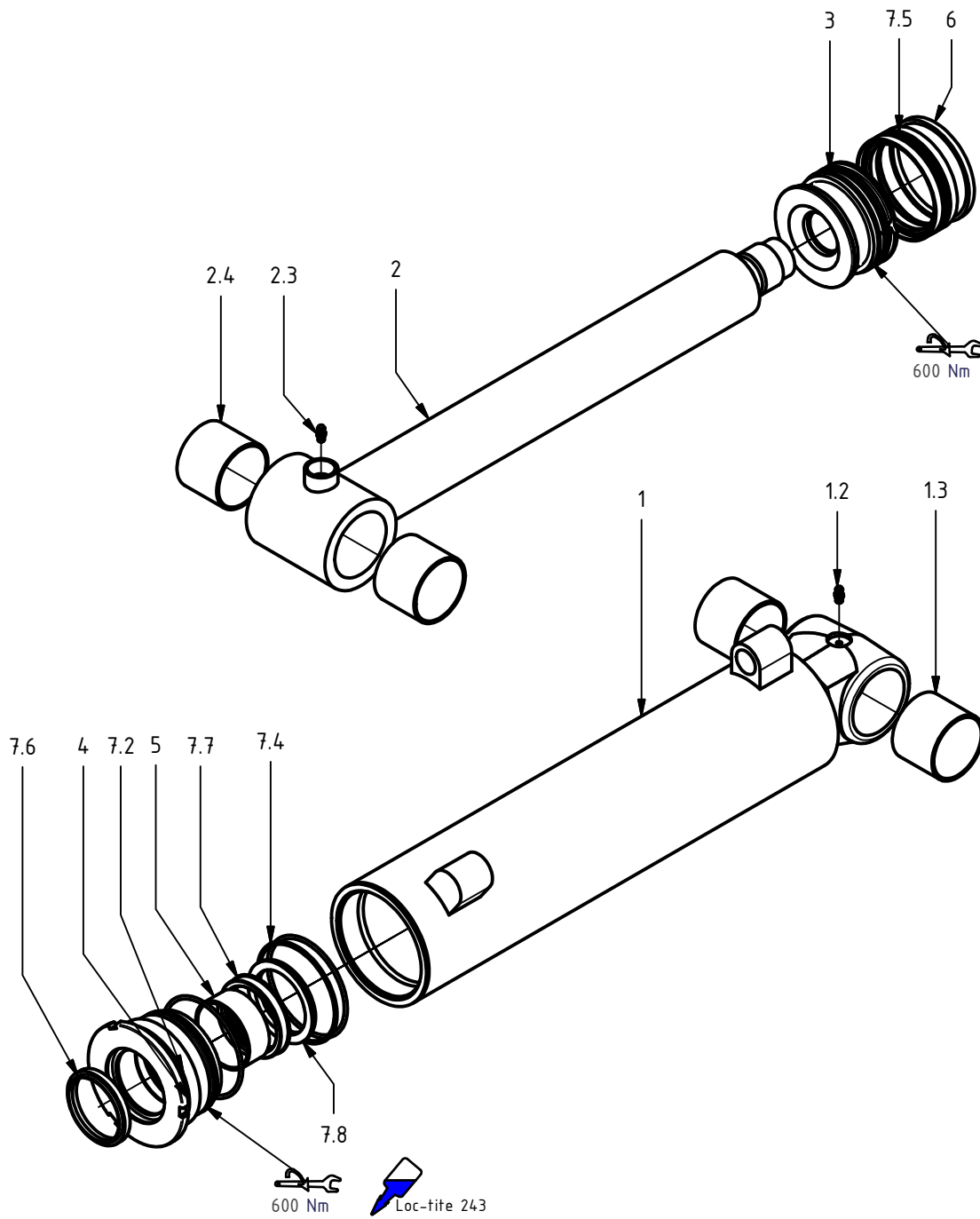
S/N 061-0001 & up

MultiGrip 20



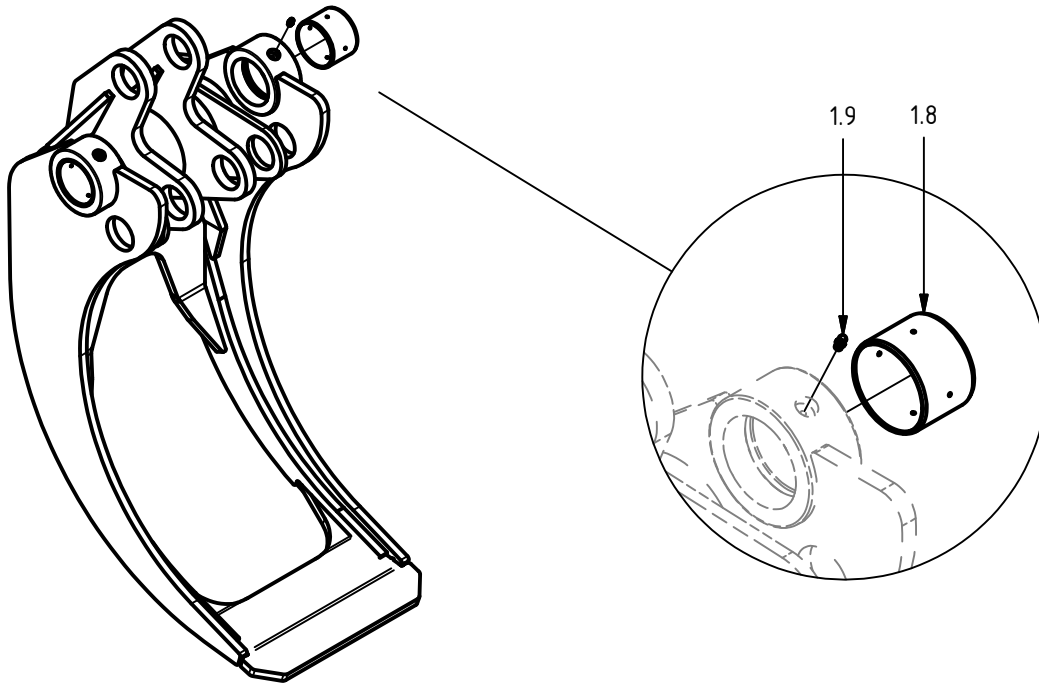
Item	Qty.	Part Number	Description	Notes
1	1	0734030	Frame MG 20	
2	1	0734062	Grapple arm, male	
3	1	0734063	Grapple arm, female	
4	2	0683910	Rod asm.	
5	1	0150004	Hydraulic cylinder \varnothing 100/63	
6	4	0734015	Pin joint \varnothing 80 asm.	\varnothing 80 x 095
6.1	1	0734014	Pin	\varnothing 80 x 095
6.2	2	0683021	Washer \varnothing 80	
6.3	1	0104634	Hex hd. cap screw	ISO 4014 M24 x 110
6.4	1	0106033	Hex nut	ISO 4032 M24
7	1	0683445	Pin joint \varnothing 60 asm.	\varnothing 60 x 292
7.1	1	0683077	Pin	\varnothing 60 x 292
7.2	2	0683054	Washer \varnothing 60	
7.3	1	0106032	Hex nut	ISO 4032 M20
7.4	1	0104914	Hex hd. cap screw	ISO 4014 - M20x300
8	1	0683441	Pin joint \varnothing 60 asm.	\varnothing 60 x 147
8.1	1	0683059	Pin	\varnothing 60 x 147
8.2	2	0683054	Washer \varnothing 60	
8.3	1	0104087	Hex hd. cap screw	ISO 4014 M20x160
8.4	1	0106032	Hex nut	ISO 4032 M20
9	2	0683442	Pin joint \varnothing 60 asm.	\varnothing 60 x 099
9.1	2	0683054	Washer \varnothing 60	
9.2	1	0106032	Hex nut	ISO 4032 M20
9.3	1	0683056	Pin	\varnothing 60 x 099
9.4	1	0104617	Hex hd. Cap Screw	ISO 4014 M20x110
10	1	0734034	Hydraulic group MG 20	
11	1	0734041	Labels MG 20	

Hydraulic cylinder ø100/63



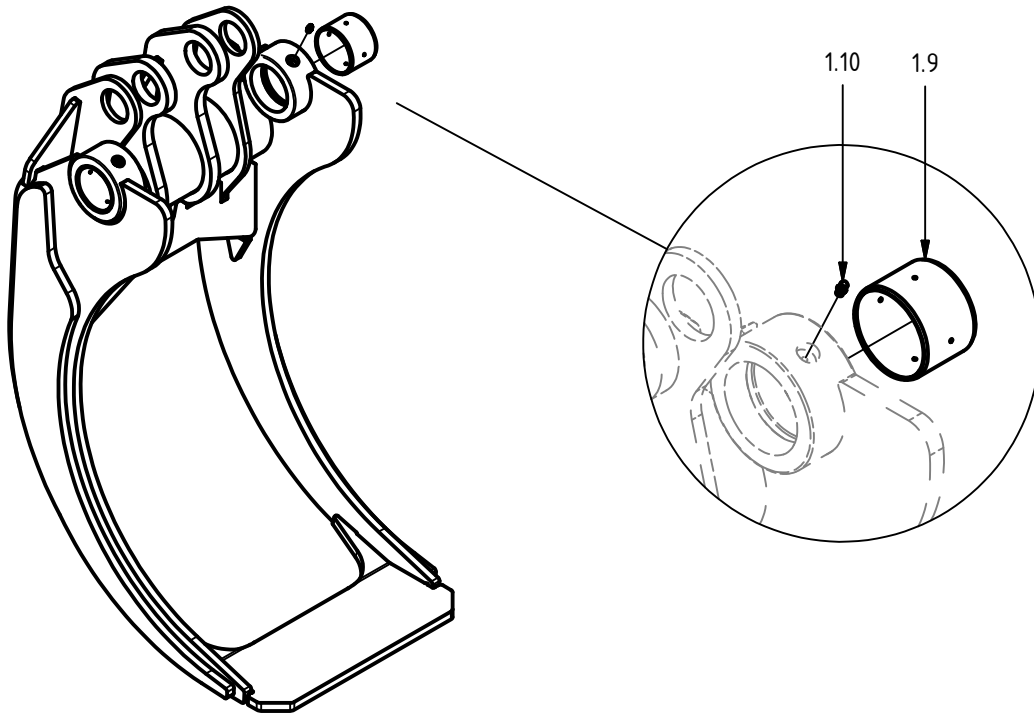
Item	Qty.	Part Number	Description	Notes
1	1	0150513	Barrel asm.	incl. item #1.3-1.3
1.2	1	0114004	Grease Fitting	M6x1
1.3	2	0683073	Plain bearing	60/65x50
2	1	0150514	Rod asm.	incl. item #2.2-2.3
2.3	1	0114004	Grease Fitting	M6x1
2.4	2	0683073	Plain bearing	60/65x50
3	1	0150509	Piston	ø100
4	1	0150511	Gland	100/63
5	1	0150526	Guide Ring	68/63 x 25-PF
6	1	0150529	Piston Ring	ø100
7	1	0121078	Seal kit 100/63	
7.2	2	-	O-ring	94,5 x 3,0
7.4	1	-	Backup Ring	100/95 x 1,3
7.5	1	-	Piston Seal	M/R-PF 100/85 x 20
7.6	1	-	Dust seal	PA 63/73 x 7 x 10
7.7	1	-	Rod seal	SI/L 63/78 x 12,5
7.8	1	-	Retainer ring	RI 63/78 x 2,65-A

Grapple arm, male



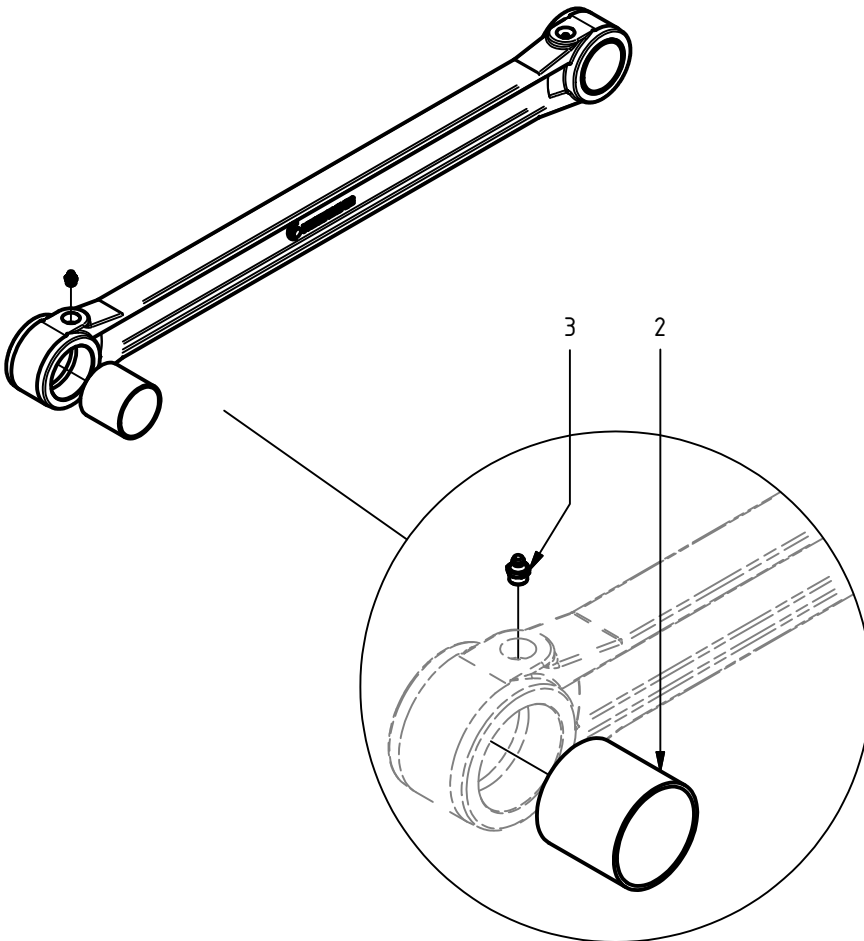
Item	Qty.	Part Number	Description	Notes
1.8	2	0683071	Plain Bearing	80/85x60
1.9	2	0114004	Grease Fitting	M6x1

Grapple arm, female



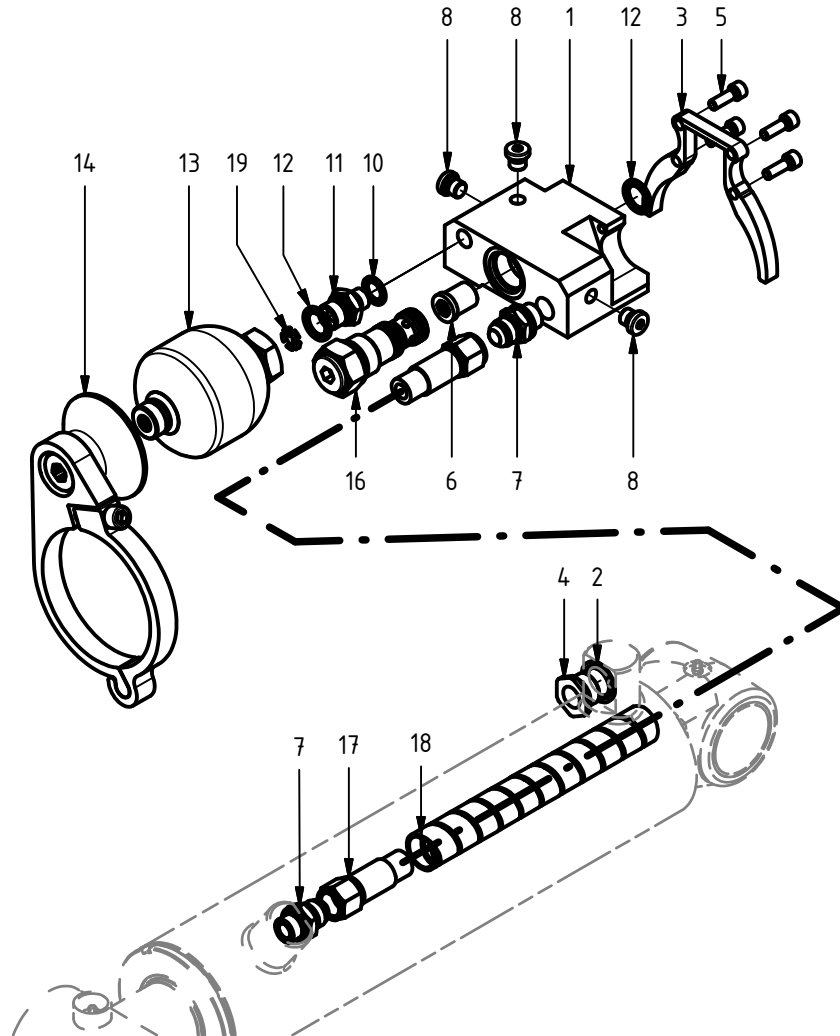
Item	Qty.	Part Number	Description	Notes
1.9	2	0683071	Plain Bearing	80/85x60
1.10	2	0114004	Grease Fitting	M6x1

Rod asm.



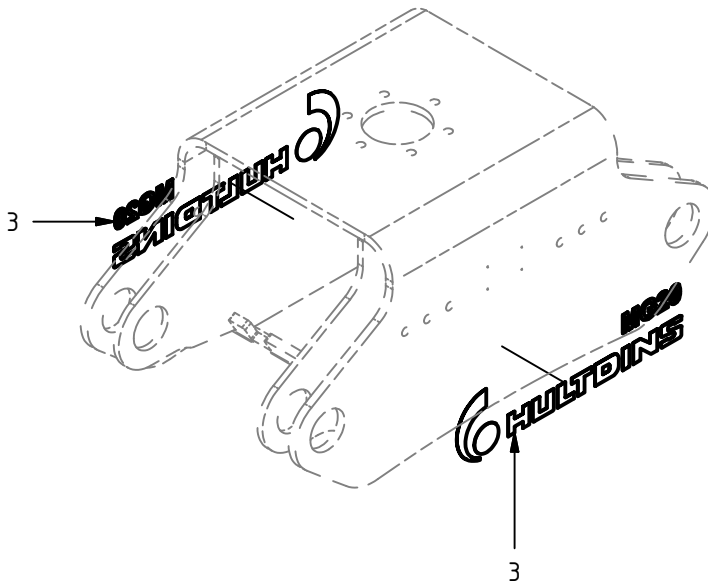
Item	Qty.	Part Number	Description	Notes
2	2	0683072	Plain bearing	60/65 x 60
3	2	0114023	Grease Fitting	M10 x 1

Load-check asm. MG 20



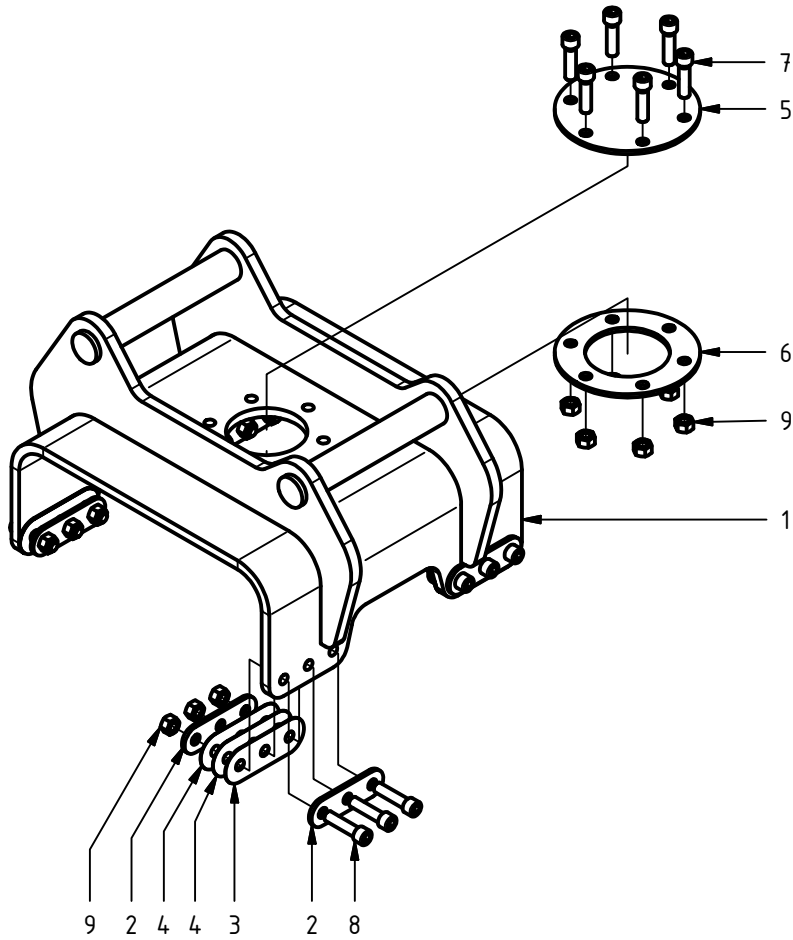
Item	Qty.	Part Number	Description	Notes
1	1	0734009	Manifold	
2	1	0106584	Bonded Seal	D9DT-12
3	1	0734038	Support plate	
4	1	0734012	Adapter	G3/4 - G1/2
5	4	0104442	Socket hd. Cap Screw	ISO 4762 - M8x25
6	1	0130297	Collar screw	BSCH 1/2"
7	2	0130107	Adapter str.	SJG 1408
8	3	0130178	Plug	VST11/4EDA3C
10	1	0106581	Bonded Seal	D9DT-6
11	1	0130439	Restrictor adapter $\varnothing 1,5$	133-06-08-1,5
12	2	0106577	Bonded Seal	D9DT-8
13	1	0136374	Accumulator 0,32 L	0,32 L - 9,0 MPa
14	1	0734035	Acc. bracket asm. MG 20	
16	1	0136231	Check valve, pilot operated	RP16A-01-C-N-15-4
16.2	1	0121123	Seal kit	FS163-N
17	1	0734079	Hose asm.	1/2", OAL=230 mm
18	1	0734082	Hose cover	L = 250 mm
19	1	0715357	Washer	

Labels MG 20



Item	Qty.	Part Number	Description	Notes
3	2	0146128	Label MG20	

Bracket S50 asm.



Item	Qty.	Part Number	Description	Notes
1	1	0734302	Bracket S50 asm.	item # 1-9
2	8	0734026	Washer	
3	4	0734027	Shim 1,0	
4	8	0734028	Shim 0,5	
5	1	0734024	Plate	
6	1	0734025	Plate	
7	6	0104121	Socket hd. cap screw	ISO 4762 - M16x60
8	12	0104363	Socket hd. cap screw	ISO 4762 - M16x65
9	18	0106030	Hex Nut	ISO 4032 M16

HULTDINS MultiGrip



Hultdin System AB
Skolgatan 12, SE-930 70 MALÅ, Sweden
tel. +46 953 418 00, fax +46 953 418 01
E-mail: sales@hultdins.se

English

Hultdins Inc.
22 Morton Avenue East
Brantford, Ontario, Canada N3R 7J7
tel (519) 754-0044, fax (519) 754-1569
E-mail: info@hultdins.com