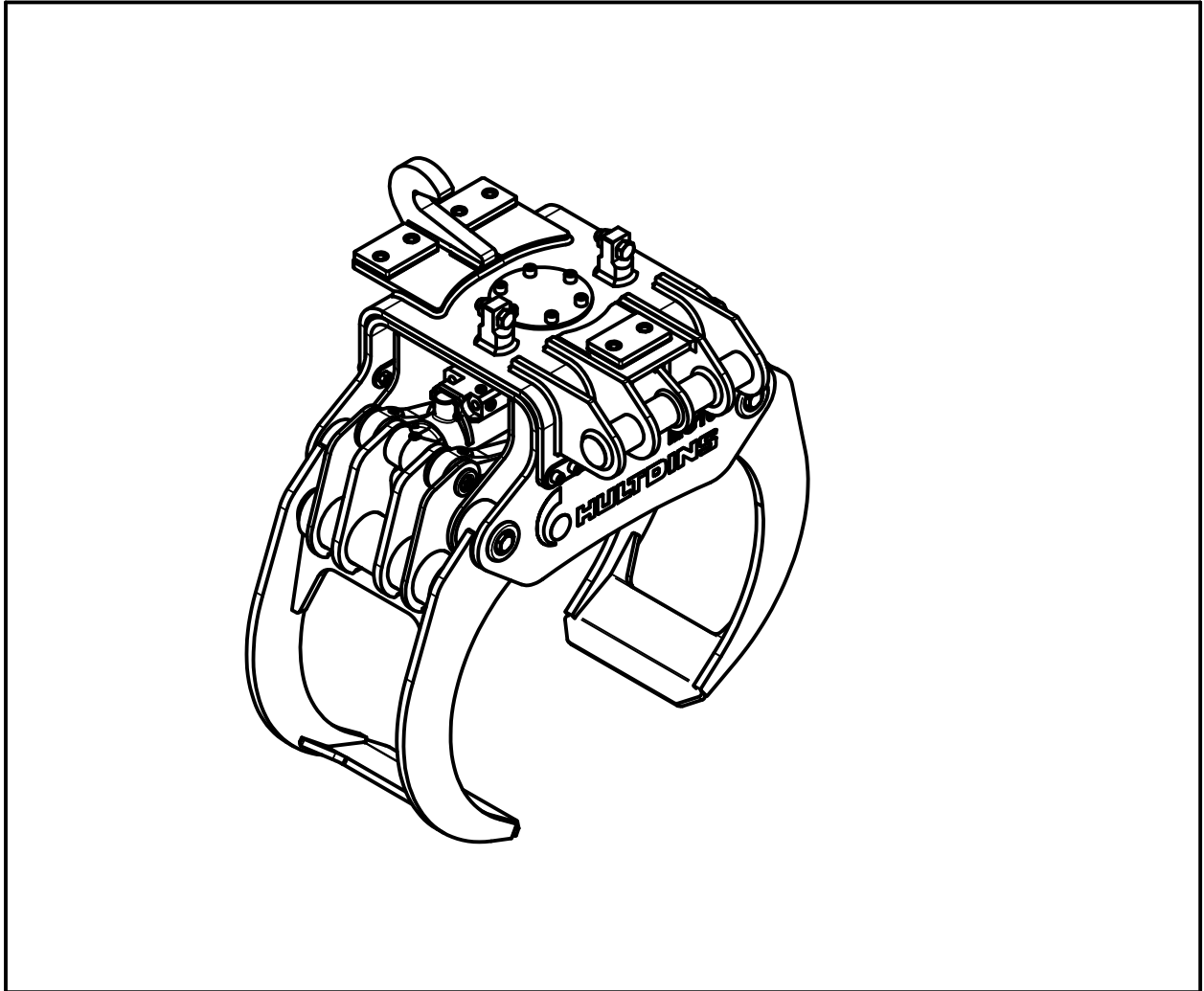


# **HULTDINS** MultiGrip

---



2011-12-09

Rev. 00

Doc.Nr. 7734704-EN

Utg. 01-12

English

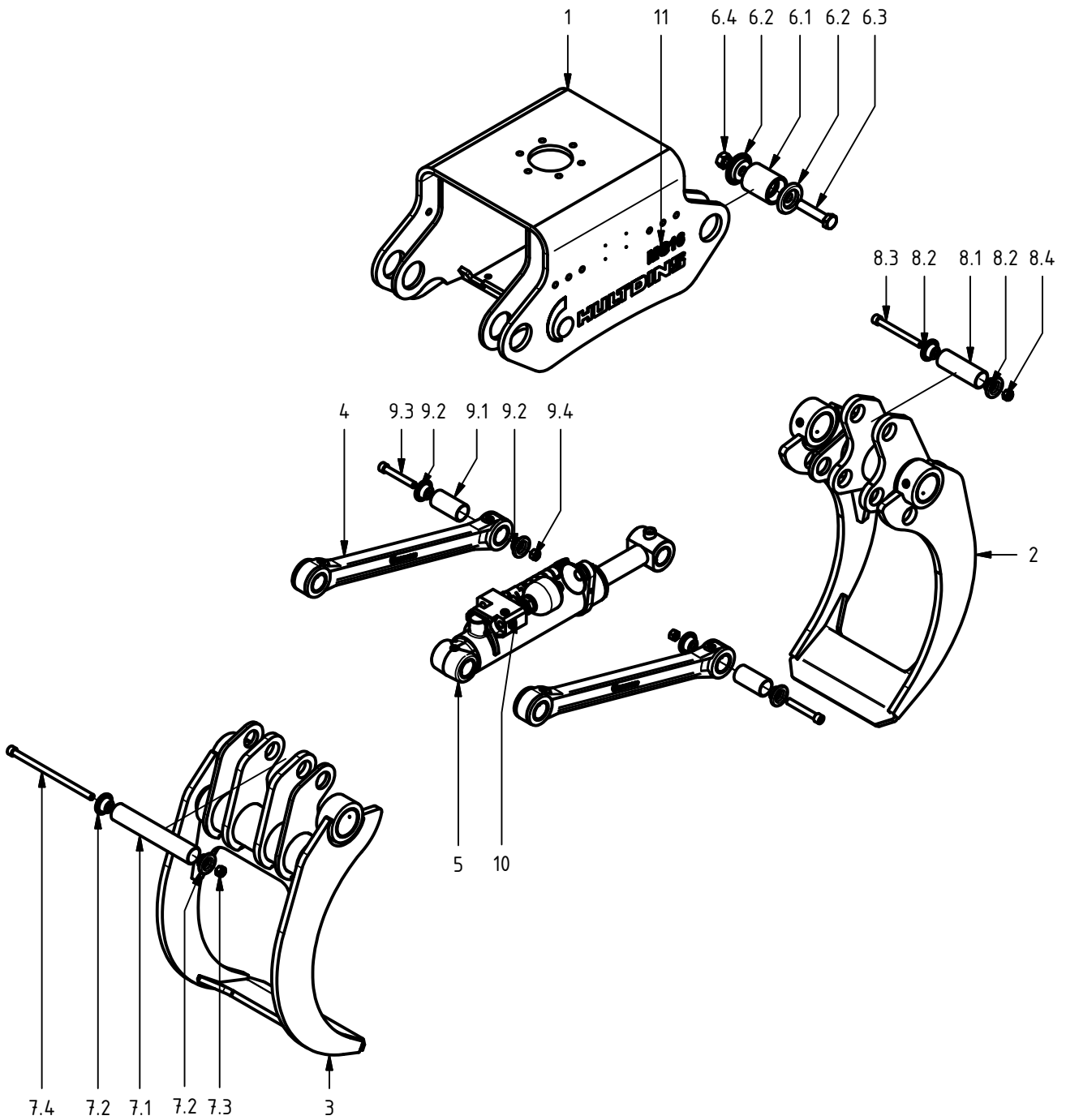
MultiGrip 16 / B20

Spare Parts manual

0734705

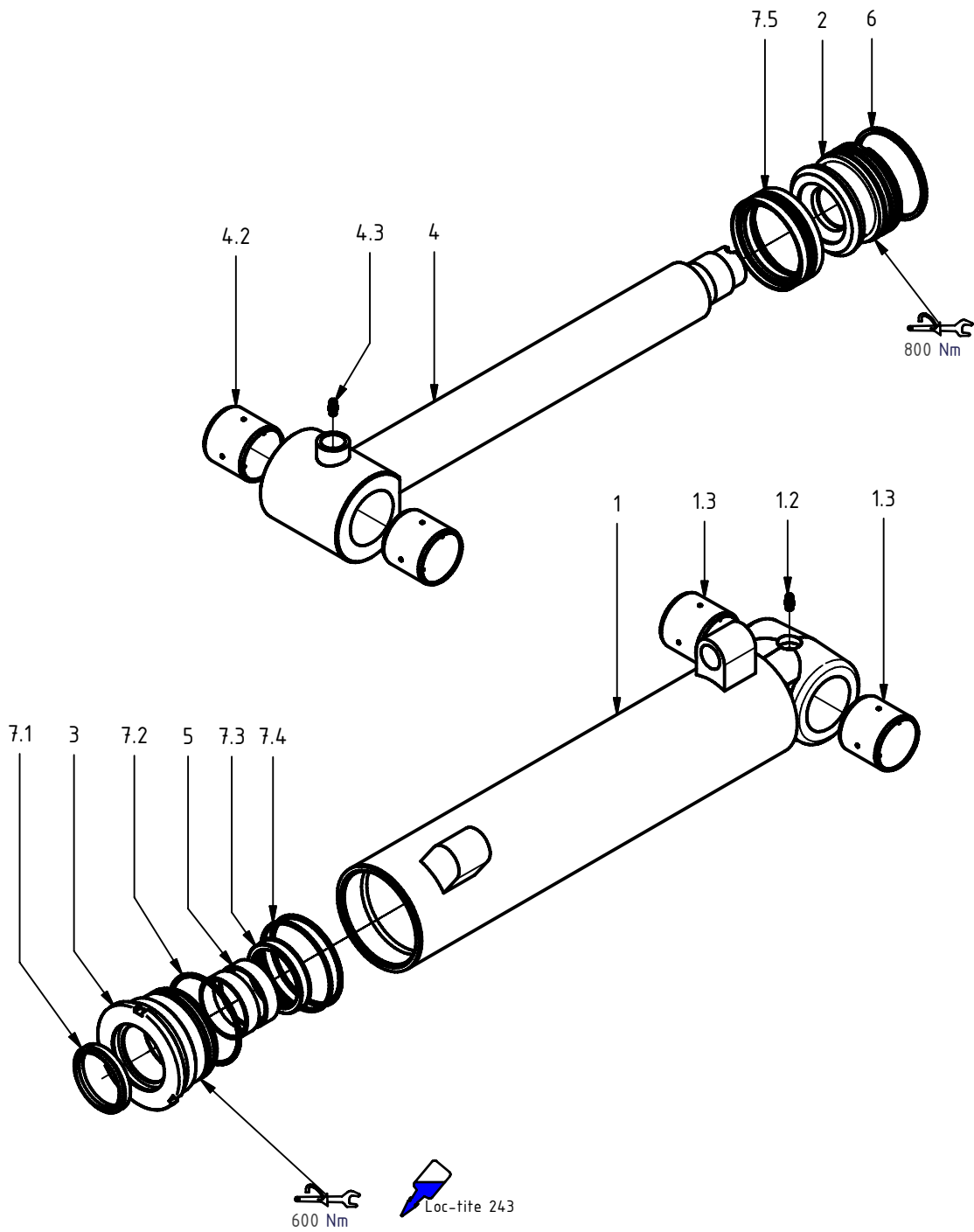
S/N 060-0001 & up

MultiGrip 16



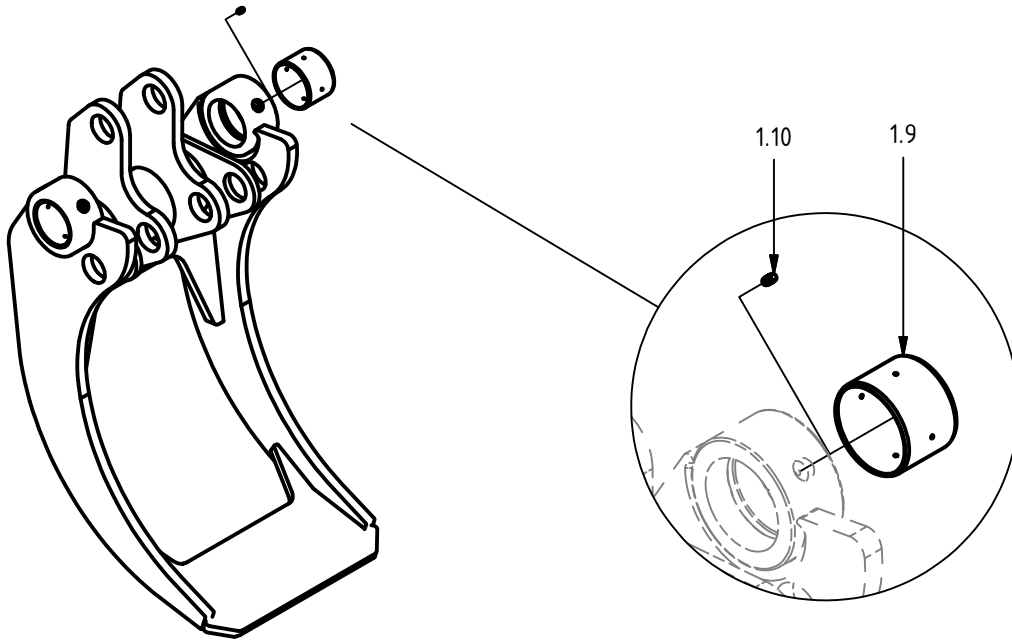
Item	Qty.	Part Number	Description	Notes
1	1	0734005	Frame MG 16	
2	1	0734090	Grapple arm, male	
3	1	0734091	Grapple arm, female	
4	2	0680910	Rod asm.	
5	1	0150002	Hydraulic cylinder $\varnothing$ 90/56	
6	4	0734015	Pin joint $\varnothing$ 80 asm.	$\varnothing$ 80 x 095
6.1	1	0734014	Pin	$\varnothing$ 80 x 095
6.2	2	0683021	Washer $\varnothing$ 80	
6.3	1	0104634	Hex hd. cap screw	ISO 4014 M24 x 110
6.4	1	0106033	Hex nut	ISO 4032 M24
7	1	0680545	Pin joint $\varnothing$ 50 asm.	
7.1	1	0680075	Pin	$\varnothing$ 50 x 294
7.2	2	0680054	Washer $\varnothing$ 50	
7.3	1	0106030	Hex Nut	ISO 4032 M16
7.4	1	0104115	Socket hd. Cap Screw	ISO 4762 - M16x300
8	1	0680541	Pin joint $\varnothing$ 50 asm.	
8.1	1	0680077	Pin	$\varnothing$ 50 x 147
8.2	2	0680054	Washer $\varnothing$ 50	
8.3	1	0104132	Socket hd. cap screw	ISO 4762 - M16x160
8.4	1	0106030	Hex Nut	ISO 4032 M16
9	2	0680542	Pin joint $\varnothing$ 50 asm.	
9.1	1	0680015	Pin	$\varnothing$ 50 x 99
9.2	2	0680054	Washer $\varnothing$ 50	
9.3	1	0104502	Socket hd. Cap Screw	ISO 4762 - M16x110
9.4	1	0106030	Hex Nut	ISO 4032 M16
10	1	0734010	Hydraulic group MG16	
11	1	0734016	Labels MG16	

Hydraulic cylinder  $\varnothing 90/56$



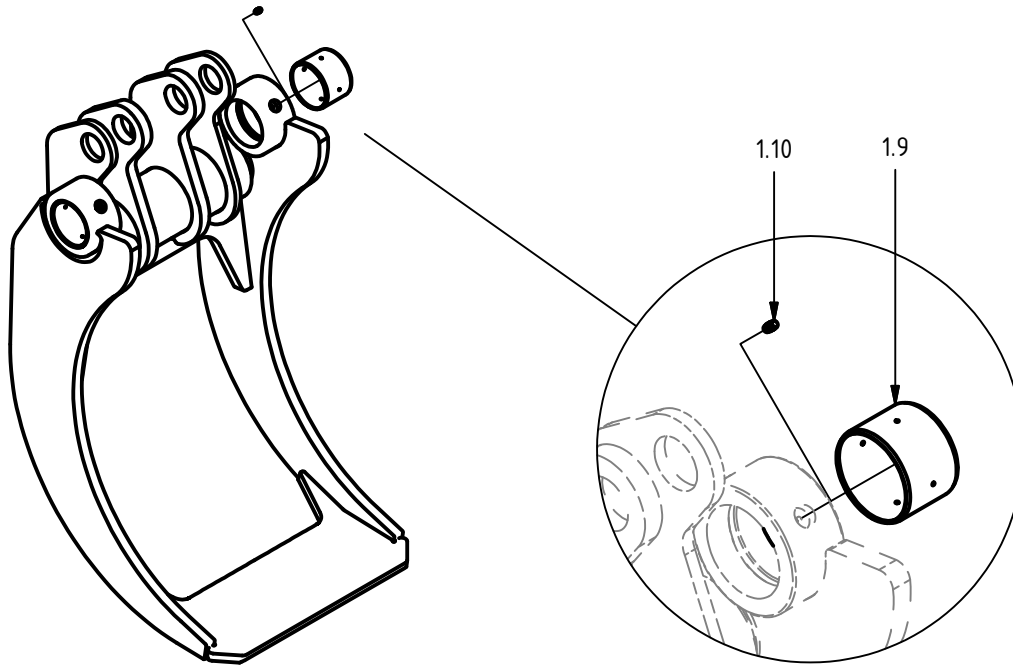
Item	Qty.	Part Number	Description	Notes
1	1	0150505	Barrel asm.	incl. item #1.3-1.3
1.2	1	0114004	Grease Fitting	M6x1
1.3	2	0680073	Plain bearing	Ø50/55x50
2	1	0150506	Piston	90/56
3	1	0150507	Gland	90/56
4	1	0150508	Rod asm.	incl. item #4.2-4.3
4.2	2	0680073	Plain bearing	Ø50/55x50
4.3	1	0114004	Grease Fitting	M6x1
5	2	0150525	Guide Ring	61/56 x 15-PF
6	1	0150528	Piston Ring	90 S
7	1	0121077	Seal kit 90/56	
7.1	1	-	Dust Seal	PA 56/66 x 7 x 10
7.2	2	-	O-ring	84,5 x 3,0
7.3	1	-	Rod Seal	SI/L 56/71 x 12,5
7.4	1	-	Backup Ring	85/90 x 1,3
7.5	1	-	Piston Seal	M/R-PF 90/75 x 20

Grapple arm, male



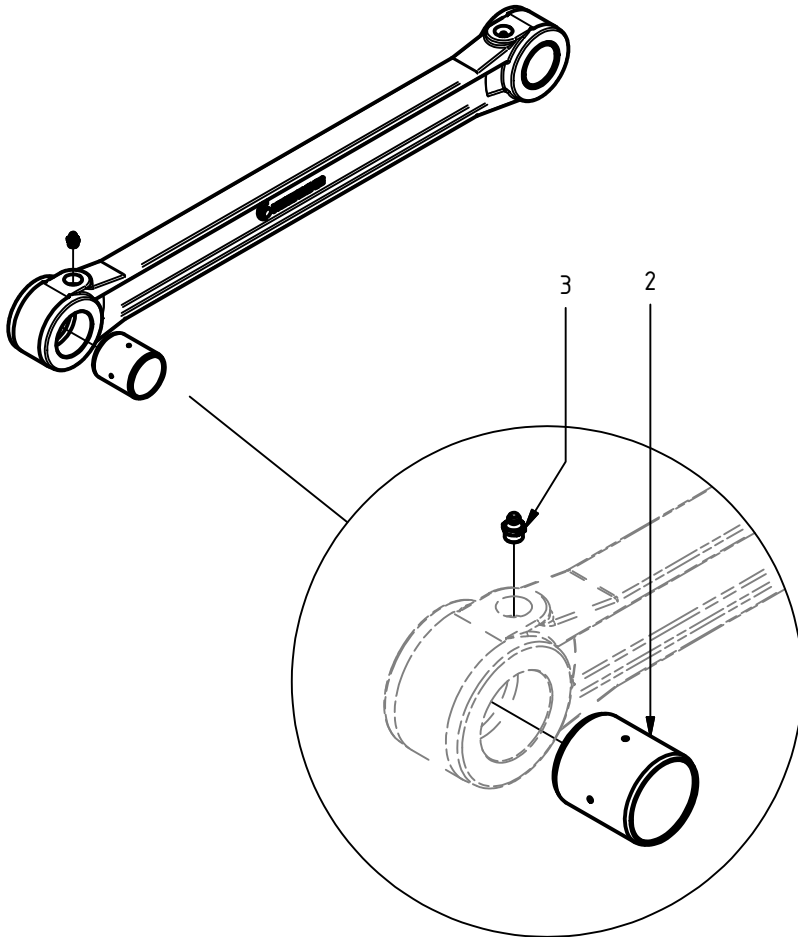
Item	Qty.	Part Number	Description	Notes
1.9	2	0683071	Plain Bearing	80/85x60
1.10	2	0114004	Grease Fitting	M6x1

Grapplearm, female



Item	Qty.	Part Number	Description	Notes
1.9	2	0683071	Plain Bearing	80/85x60
1.10	2	0114004	Grease Fitting	M6x1

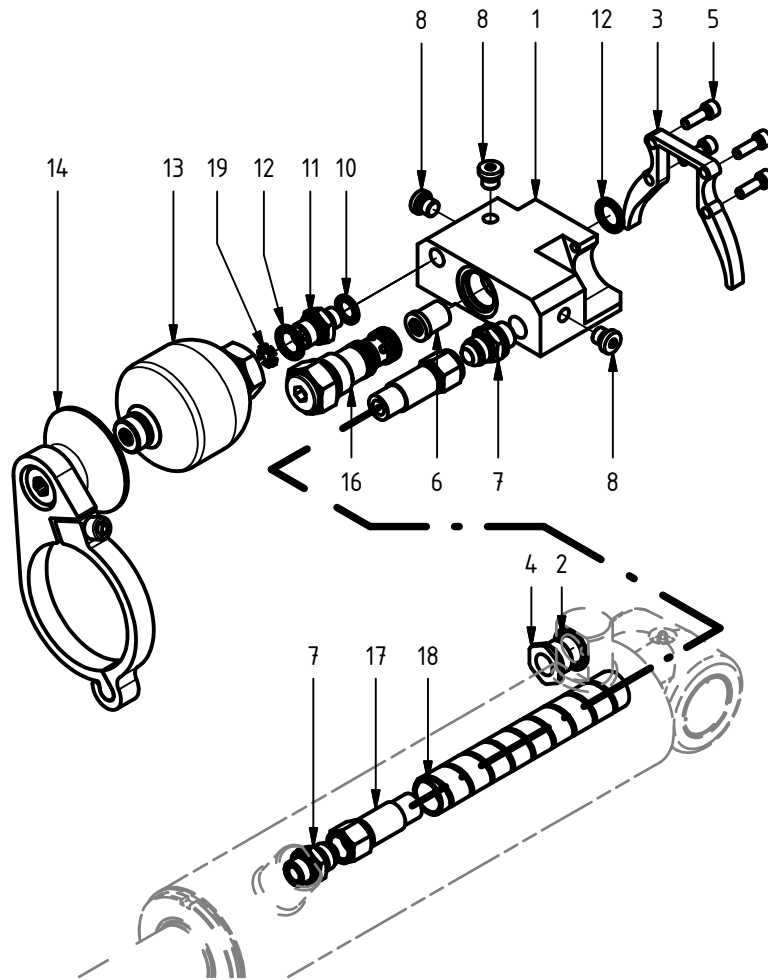
Rod asm.



Item	Qty.	Part Number	Description	Notes
2	2	0680072	Plain bearing	∅050/055x060 PDE
3	2	0114023	Grease Fitting	M10 x 1

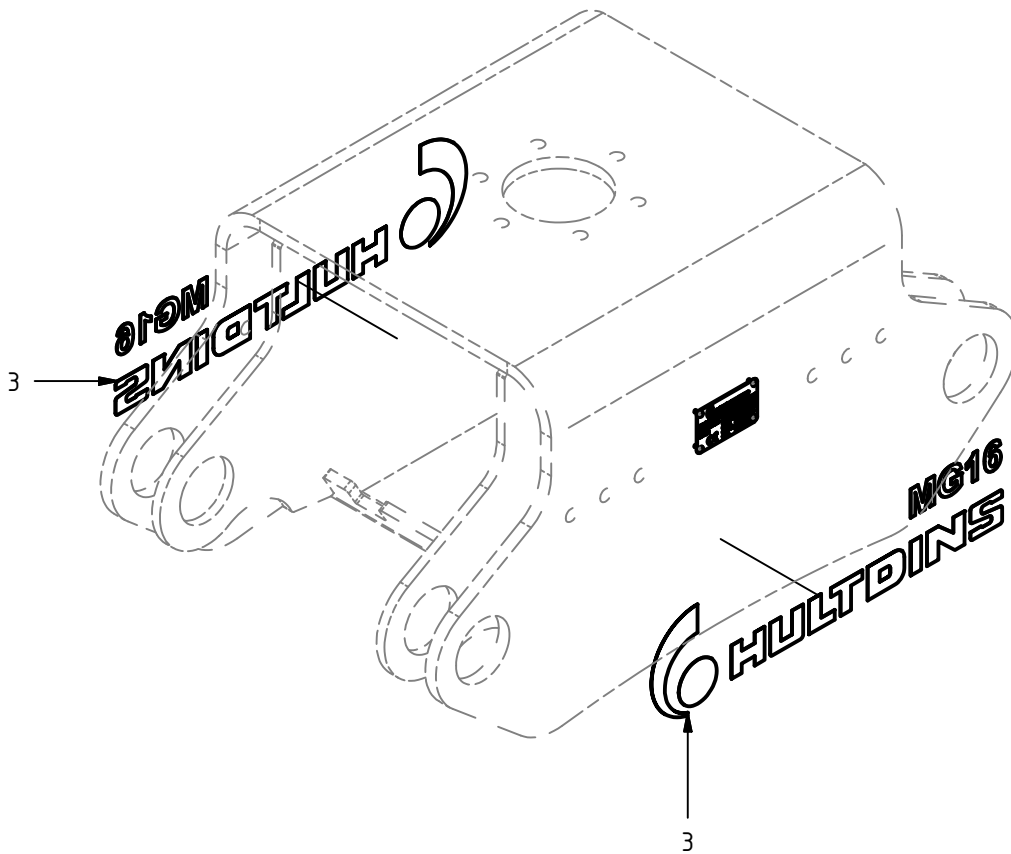


Load check asm. MG16



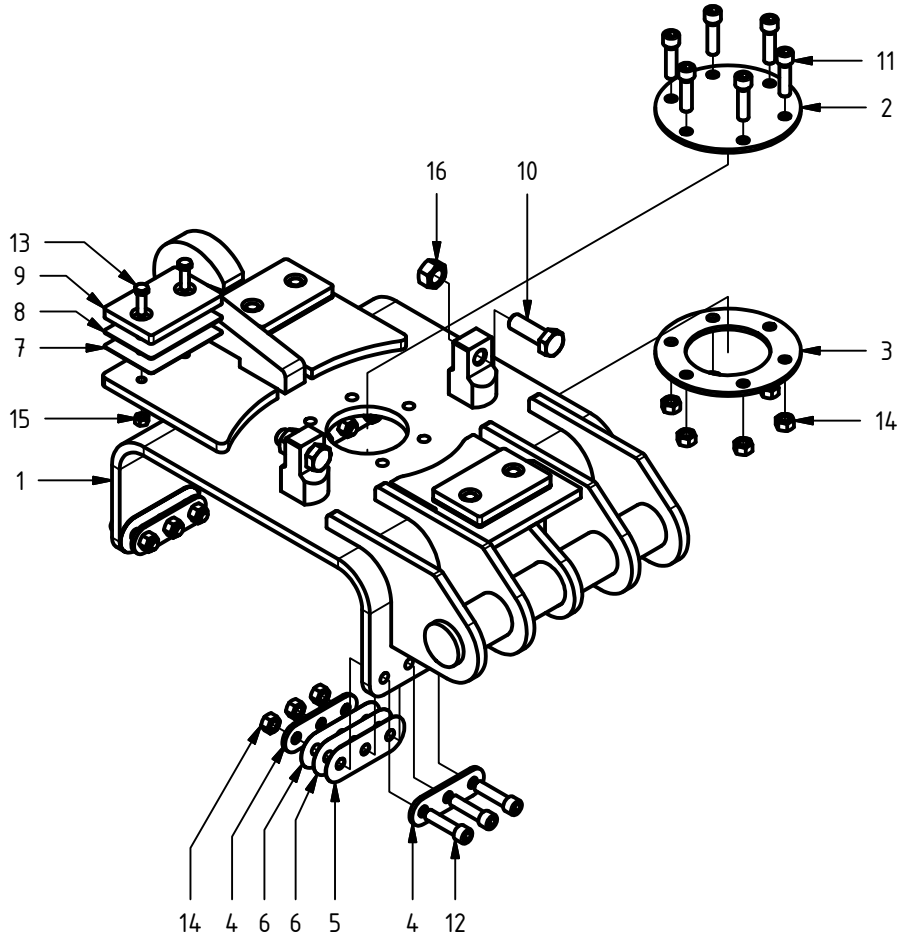
Item	Qty.	Part Number	Description	Notes
1	1	0734009	Manifold	
2	1	0106584	Bonded Seal	D9DT-12
3	1	0734011	Support plate	
4	1	0734012	Adapter	G3/4 - G1/2
5	4	0104442	Socket hd. Cap Screw	ISO 4762 - M8x25
6	1	0130297	Collar screw	BSCH 1/2"
7	2	0130107	Adapter str.	SJG 1408
8	3	0130178	Plug	VST11/4EDA3C
10	1	0106581	Bonded Seal	D9DT-6
11	1	0130439	Restrictor adapter $\varnothing$ 1,5	133-06-08-1,5
12	2	0106577	Bonded Seal	D9DT-8
13	1	0136374	Accumulator 0,32 L	0,32 L - 9,0 MPa
14	1	0734006	Acc. bracket asm. MG 16	
16	1	0136231	Check valve, pilot operated	RP16A-01-C-N-15-4
16.2	1	0121123	Seal kit	FS163-N
17	1	0734078	Hose asm.	1/2", OAL=175 mm
18	1	0734081	Hose cover	L = 210 mm
19	1	0715357	Washer	

Labels MG16



Item	Qty.	Part Number	Description	Notes
3	2	0146127	Label MG16	

Bracket B20 asm.



Item	Qty.	Part Number	Description	Notes
1	1	0734307	Bracket B20 asm.	item # 1-16
2	1	0734024	Plate	
3	1	0734025	Plate	
4	8	0734026	Washer	
5	4	0734027	Shim 1,0	
6	8	0734028	Shim 0,5	
7	3	0734073	Shim 1,0	
8	3	0734074	Shim 2,0	
9	3	0734075	Plate	
10	2	0104065	Hex hd. cap screw	ISO 4017 M24x70
11	6	0104121	Socket hd. cap screw	ISO 4762 - M16x60
12	12	0104363	Socket hd. cap screw	ISO 4762 - M16x65
13	6	0104379	Hex hd. cap screw	ISO 4017 - M12x40
14	18	0106030	Hex Nut	ISO 4032 M16
15	6	0106080	Hex Nut	ISO 4032 M12
16	2	0106103	Hex Nut	ISO 4032 M24

# **HULTDINS** MultiGrip

---



Hultdin System AB  
Skolgatan 12, SE-930 70 MALÅ, Sweden  
tel. +46 953 418 00, fax +46 953 418 01  
E-mail: [sales@hultdins.se](mailto:sales@hultdins.se)

---

English

Hultdins Inc.  
22 Morton Avenue East  
Brantford, Ontario, Canada N3R 7J7  
tel (519) 754-0044, fax (519) 754-1569  
E-mail: [info@hultdins.com](mailto:info@hultdins.com)