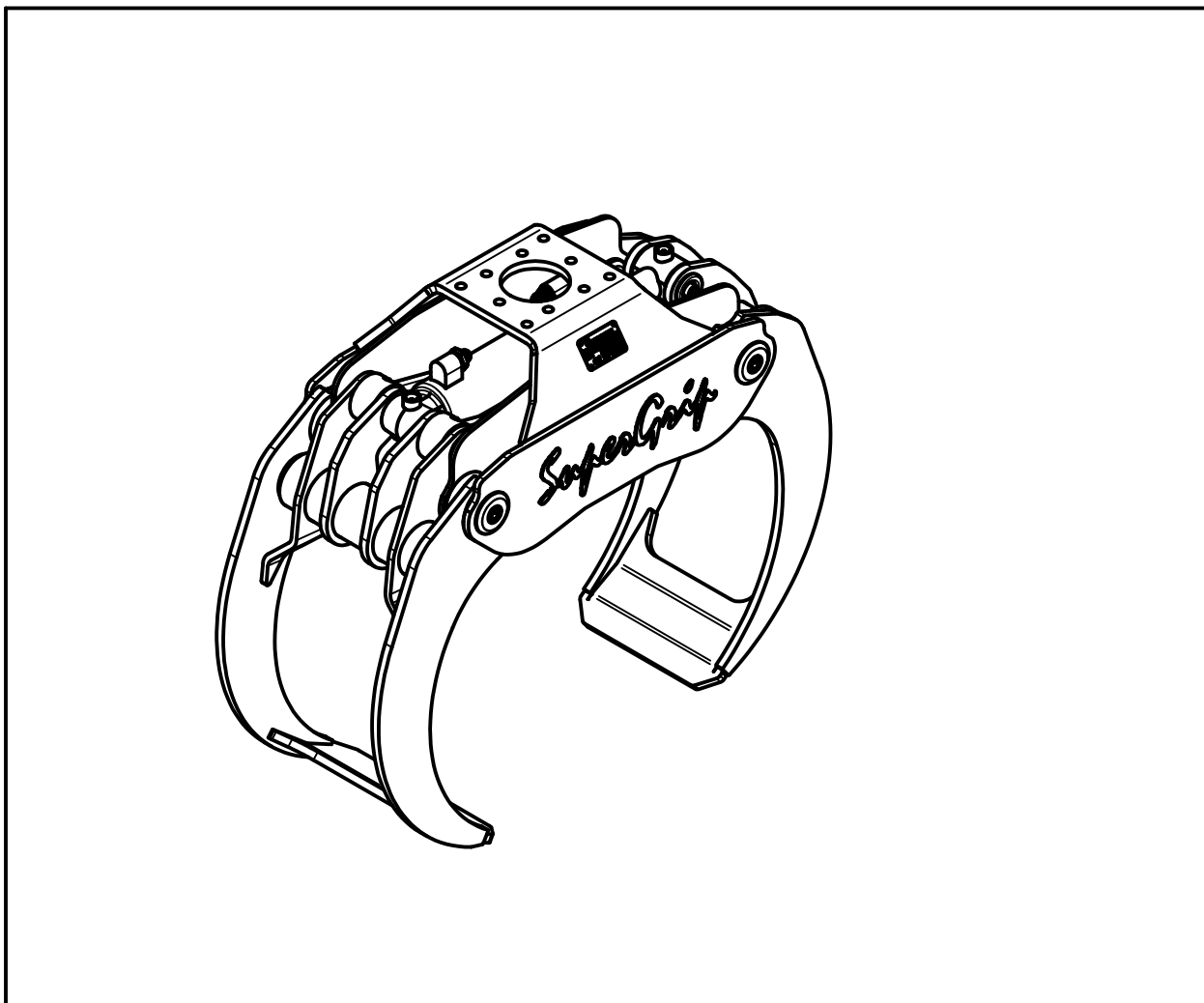


HULTDINSTM SuperGrip



SuperGrip 260S

2009-12-15

Rev. 04

Doc.Nr. 7660600-EN

Utg. 01-10

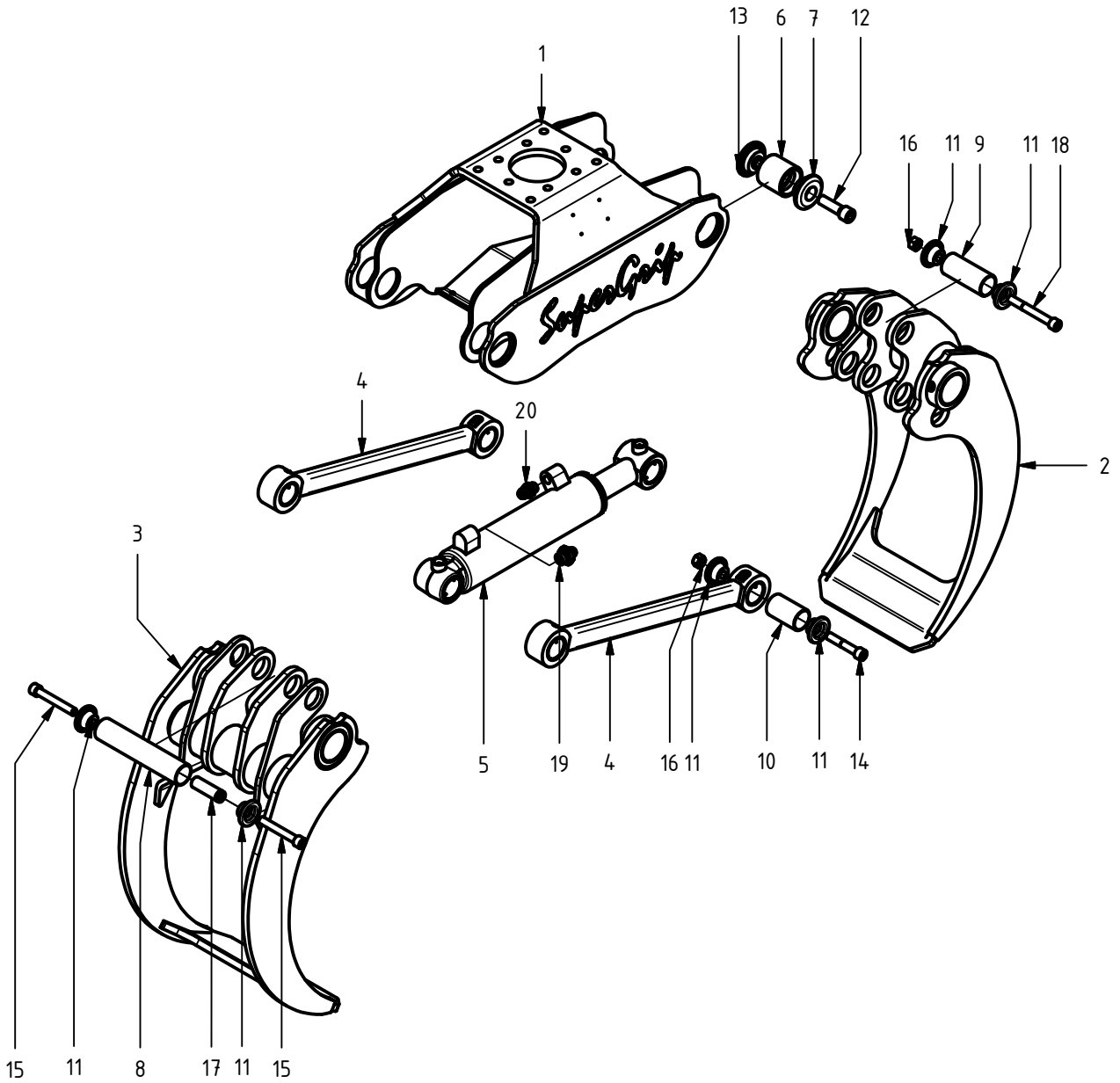
English

Spare Parts manual

0660600

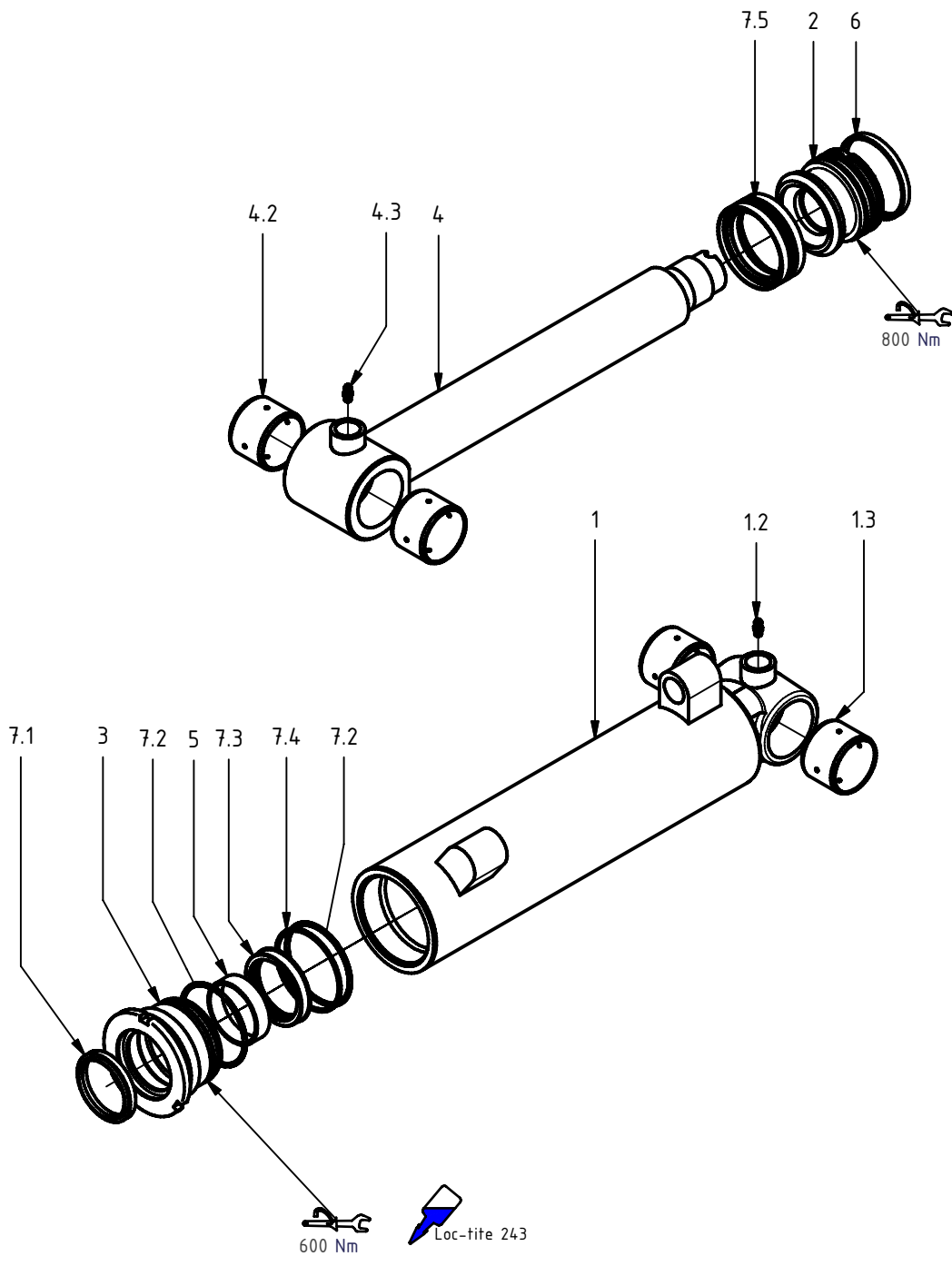
S/N 044-0280 & up

SuperGrip 260S



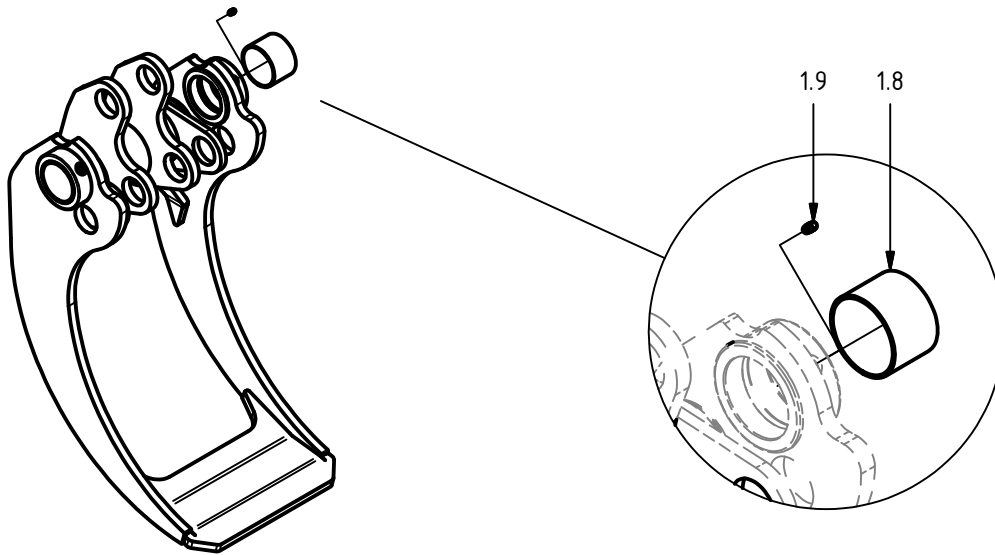
Item	Qty.	Part Number	Description	Notes
1	1	0660501	Frame	
2	1	0660521	Grapple arm, male	
3	1	0660522	Grapple arm, female	
4	2	0660209	Push rod asm.	
5	1	0150001	Hydraulic cylinder $\varnothing 80/56$	
6	4	0660258	Pin	$\varnothing 70 \times 68$
7	4	0660510	Washer	
8	1	0660256	Pin	$\varnothing 50 \times 245$
9	1	0660260	Pin	$\varnothing 50 \times 118$
10	2	0660262	Pin	$\varnothing 50 \times 84$
11	8	0680054	Washer	
12	4	0104170	Socket hd. Cap Screw	ISO 4762 - M20x70
13	4	0660512	Washer	
14	2	0104500	Socket hd. Cap Screw	ISO 4762 - M16x90
15	2	0104502	Socket hd. Cap Screw	ISO 4762 - M16x110
16	3	0106030	Hex Nut	ISO 4032 - M16
17	1	0660263	Nut	
18	1	0104888	Socket hd. Cap Screw	ISO 4762 - M16x130
19	1	0130061	Adapter str.	10-12f4omxs
20	1	0130107	Adapter str.	10F40MX
-	-	0660544	Pin joint asm. kit	item #6, 7, 12, 13
-	-	0660541	Pin joint asm. kit	item #9, 11, 16, 18
-	-	0660542	Pin joint asm. kit	item #10, 11, 14, 16
-	-	0660543	Pin joint asm. kit	item #8, 11, 15, 17
-	-	0660965	Plain bearing kit	

Hydraulic cylinder ø80/56



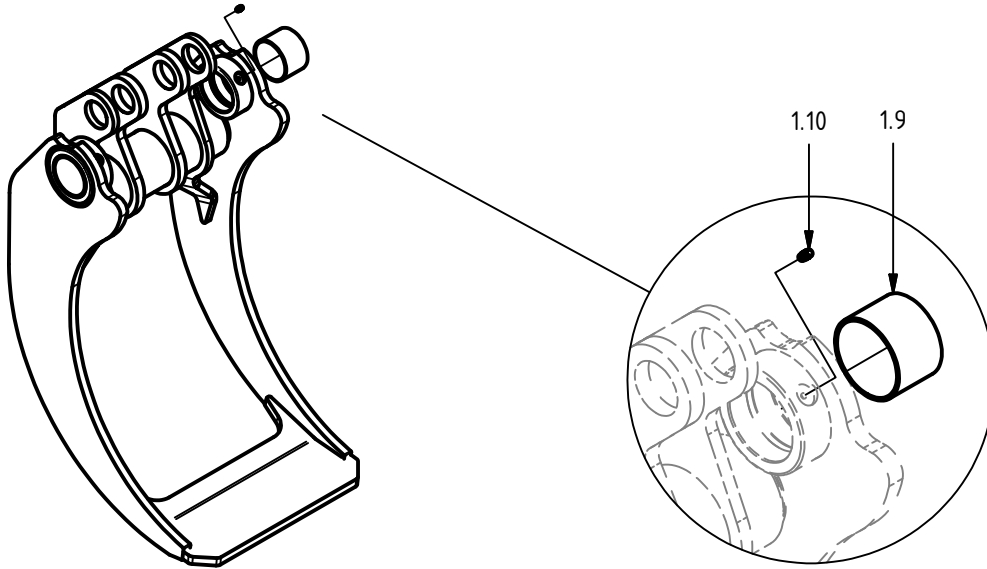
Item	Qty.	Part Number	Description	Notes
1	1	0150501	Barrel asm.	incl. item #1.2-1.3
1.2	1	0114004	Grease Fitting	M6x1
1.3	2	0660223	Plain bearing	ø50/55x40
2	1	0150502	Piston	80/56
3	1	0150503	Gland	80/56
4	1	0150504	Rod asm.	incl. item #4.2-4.3
4.2	2	0660223	Plain bearing	ø50/55x40
4.3	1	0114004	Grease Fitting	M6x1
5	1	0150525	Guide Ring	61/56 x 15-PF
6	1	0150527	Piston Ring	
7	1	0121076	Seal kit 80/56	
7.1	1	-	Dust Seal	PA 56/66 x 7 x 10
7.2	2	-	O-ring	74,5 x 3,0
7.3	1	-	Rod Seal	SI/L 56/71 x 12,5
7.4	1	-	Backup Ring	75/80 x 1,3
7.5	1	-	Piston Seal	M/R-PF 80/65 x 20

Grapple arm, male



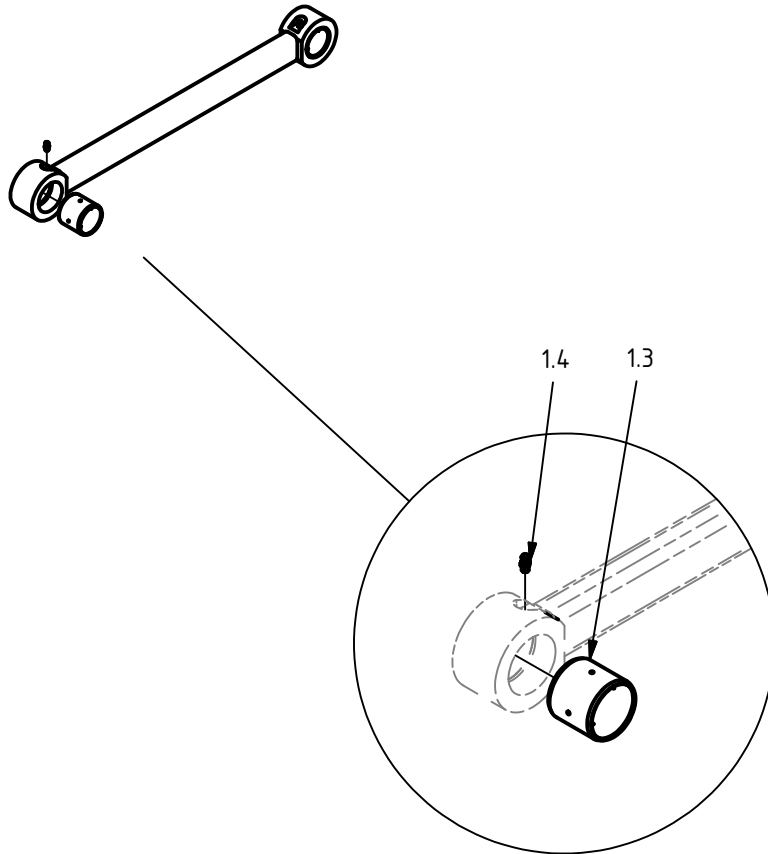
Item	Qty.	Part Number	Description	Notes
1.8	2	0660217	Plain Bearing	70/75x50
1.9	2	0114004	Grease Fitting	M6x1

Grapple arm, female



Item	Qty.	Part Number	Description	Notes
1.9	2	0660217	Plain Bearing	70/75x50
1.10	2	0114004	Grease Fitting	M6x1

Push rod asm.



Item	Qty.	Part Number	Description	Notes
1.3	2	0680073	Plain bearing	Ø50/55x50
1.4	2	0114004	Grease Fitting	M6x1

HULTDINS *SuperGrip*™



Hultdin System AB
Skolgatan 12, SE-930 70 MALÅ, Sweden
tel. +46 953 418 00, fax +46 953 418 01
E-mail: sales@hultdins.se

English

Hultdins Inc.
22 Morton Avenue East
Brantford, Ontario, Canada N3R 7J7
tel (519) 754-0044, fax (519) 754-1569
E-mail: info@hultdins.com