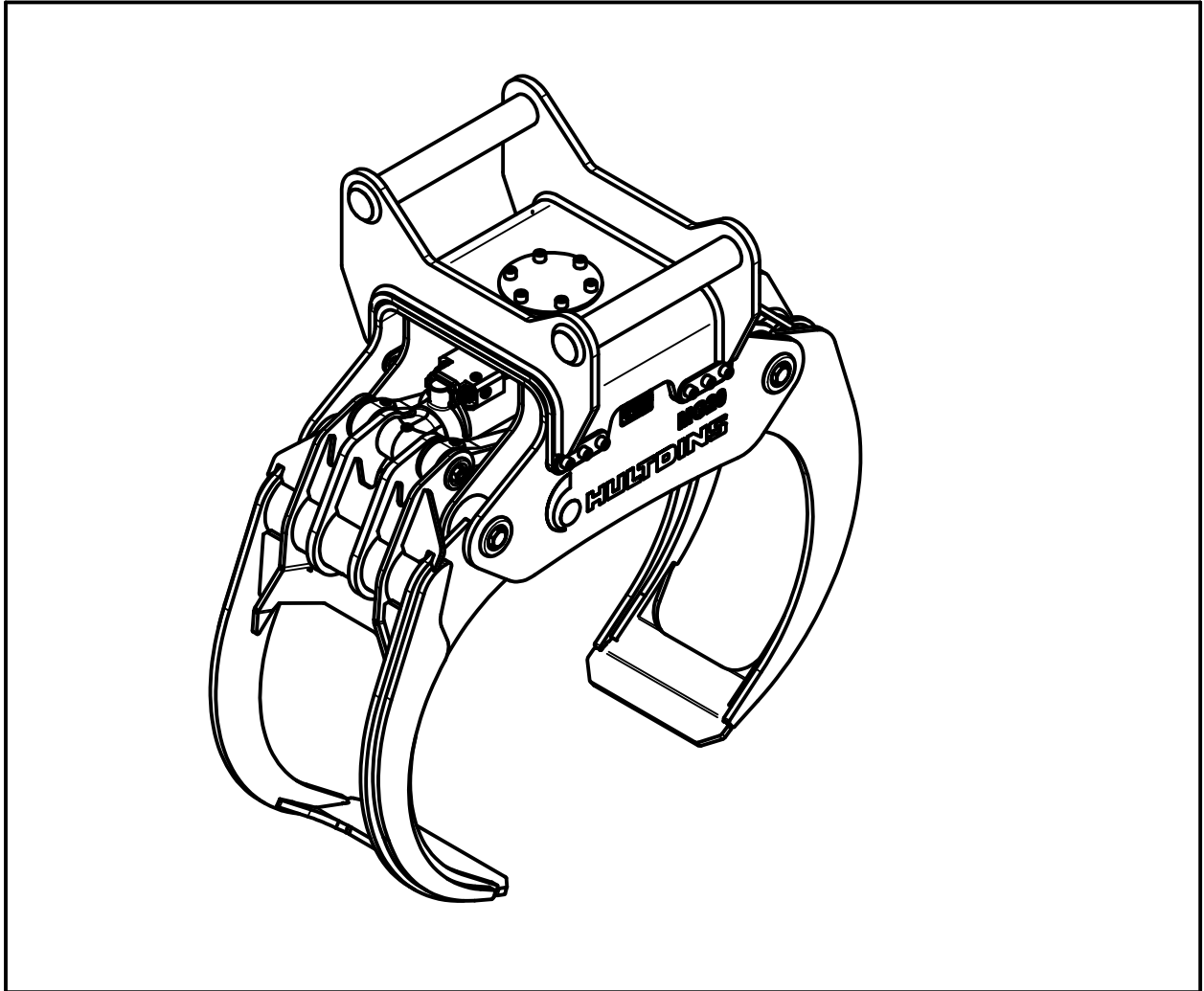


HULTDINS MultiGrip



2011-01-26

Rev. 00

Doc.Nr. 7734804-EN

Utg. 01-11

English

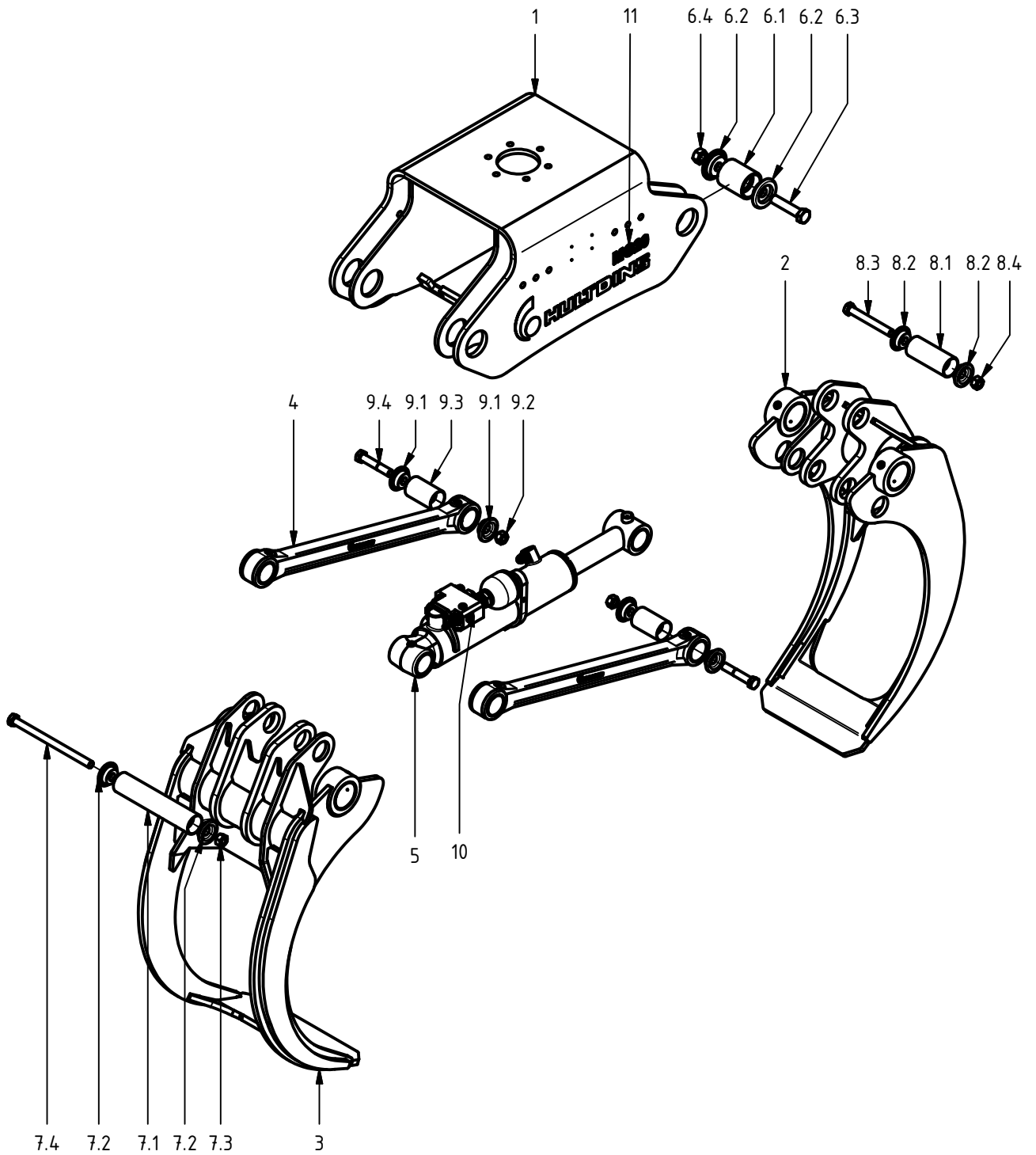
MultiGrip 20 / S70

Spare Parts manual

0734804

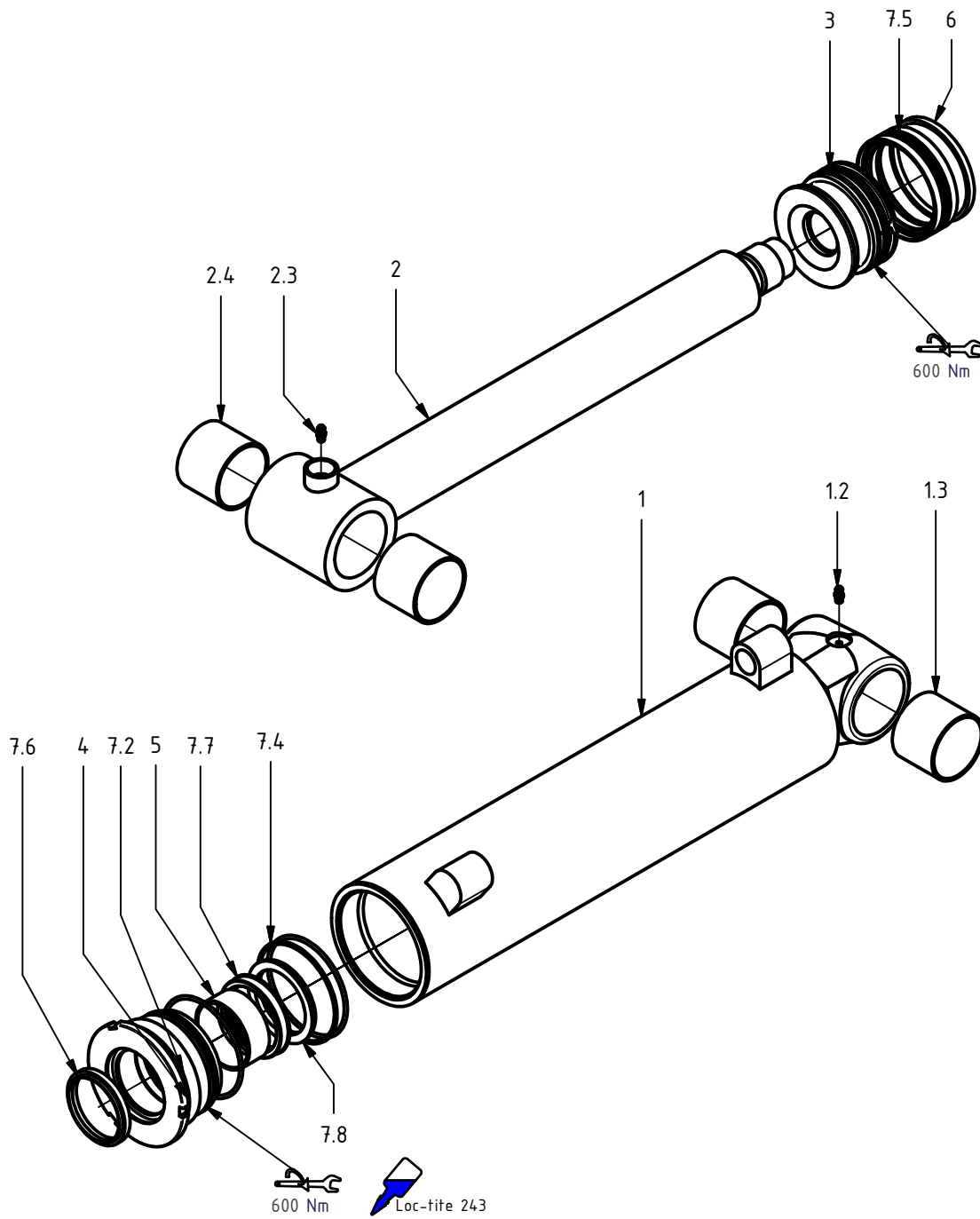
S/N 061-0001 & up

MultiGrip 20



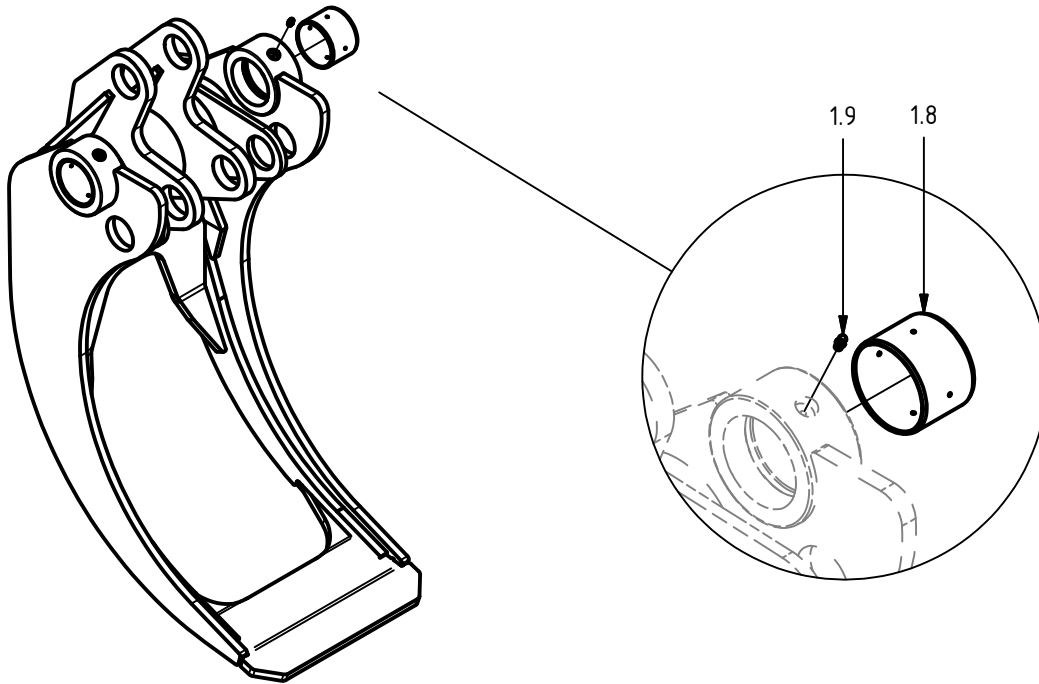
| Item | Qty. | Part Number | Description | Notes |
|------|------|-------------|---|------------------------|
| 1 | 1 | 0734030 | Frame MG 20 | |
| 2 | 1 | 0734062 | Grapple arm, male | |
| 3 | 1 | 0734063 | Grapple arm, female | |
| 4 | 2 | 0683910 | Rod asm. | |
| 5 | 1 | 0150004 | Hydraulic cylinder \varnothing 100/63 | |
| 6 | 4 | 0734015 | Pin joint \varnothing 80 asm. | \varnothing 80 x 095 |
| 6.1 | 1 | 0734014 | Pin | \varnothing 80 x 095 |
| 6.2 | 2 | 0683021 | Washer \varnothing 80 | |
| 6.3 | 1 | 0104634 | Hex hd. cap screw | ISO 4014 M24 x 110 |
| 6.4 | 1 | 0106033 | Hex nut | ISO 4032 M24 |
| 7 | 1 | 0683445 | Pin joint \varnothing 60 asm. | \varnothing 60 x 292 |
| 7.1 | 1 | 0683077 | Pin | \varnothing 60 x 292 |
| 7.2 | 2 | 0683054 | Washer \varnothing 60 | |
| 7.3 | 1 | 0106032 | Hex nut | ISO 4032 M20 |
| 7.4 | 1 | 0104914 | Hex hd. cap screw | ISO 4014 - M20x300 |
| 8 | 1 | 0683441 | Pin joint \varnothing 60 asm. | \varnothing 60 x 147 |
| 8.1 | 1 | 0683059 | Pin | \varnothing 60 x 147 |
| 8.2 | 2 | 0683054 | Washer \varnothing 60 | |
| 8.3 | 1 | 0104087 | Hex hd. cap screw | ISO 4014 M20x160 |
| 8.4 | 1 | 0106032 | Hex nut | ISO 4032 M20 |
| 9 | 2 | 0683442 | Pin joint \varnothing 60 asm. | \varnothing 60 x 099 |
| 9.1 | 2 | 0683054 | Washer \varnothing 60 | |
| 9.2 | 1 | 0106032 | Hex nut | ISO 4032 M20 |
| 9.3 | 1 | 0683056 | Pin | \varnothing 60 x 099 |
| 9.4 | 1 | 0104617 | Hex hd. Cap Screw | ISO 4014 M20x110 |
| 10 | 1 | 0734034 | Hydraulic group MG 20 | |
| 11 | 1 | 0734041 | Labels MG 20 | |

Hydraulic cylinder ø100/63



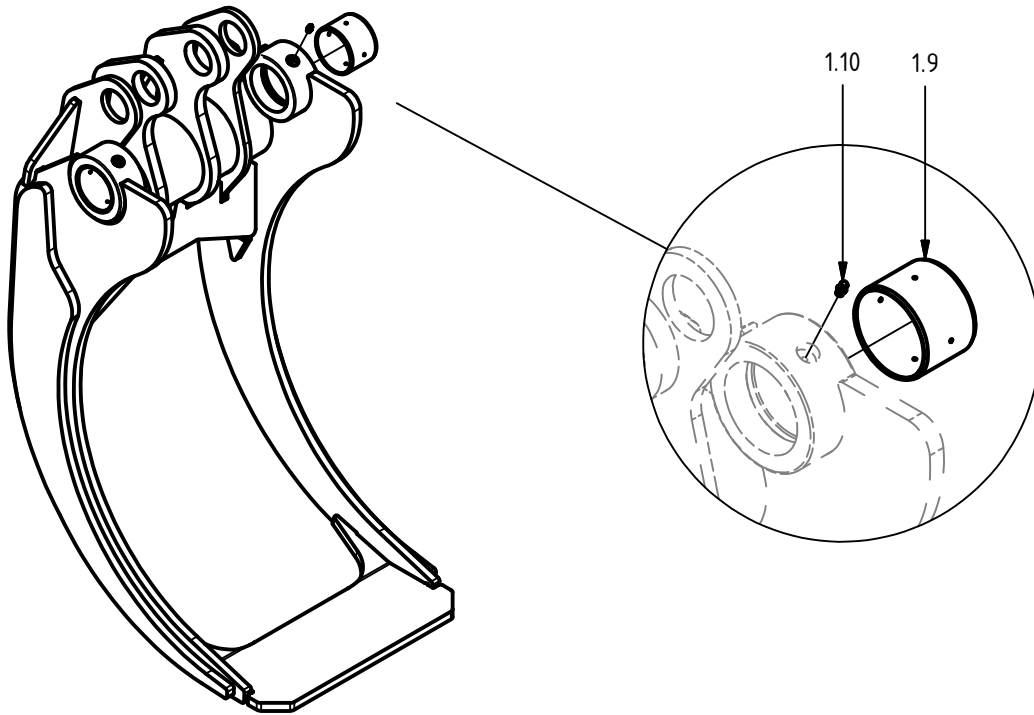
| Item | Qty. | Part Number | Description | Notes |
|------|------|-------------|-----------------|---------------------|
| 1 | 1 | 0150513 | Barrel asm. | incl. item #1.3-1.3 |
| 1.2 | 1 | 0114004 | Grease Fitting | M6x1 |
| 1.3 | 2 | 0683073 | Plain bearing | 60/65x50 |
| 2 | 1 | 0150514 | Rod asm. | incl. item #2.2-2.3 |
| 2.3 | 1 | 0114004 | Grease Fitting | M6x1 |
| 2.4 | 2 | 0683073 | Plain bearing | 60/65x50 |
| 3 | 1 | 0150509 | Piston | ø100 |
| 4 | 1 | 0150511 | Gland | 100/63 |
| 5 | 1 | 0150526 | Guide Ring | 68/63 x 25-PF |
| 6 | 1 | 0150529 | Piston Ring | ø100 |
| 7 | 1 | 0121078 | Seal kit 100/63 | |
| 7.2 | 2 | - | O-ring | 94,5 x 3,0 |
| 7.4 | 1 | - | Backup Ring | 100/95 x 1,3 |
| 7.5 | 1 | - | Piston Seal | M/R-PF 100/85 x 20 |
| 7.6 | 1 | - | Dust seal | PA 63/73 x 7 x 10 |
| 7.7 | 1 | - | Rod seal | SI/L 63/78 x 12,5 |
| 7.8 | 1 | - | Retainer ring | RI 63/78 x 2,65-A |

Grapple arm, male



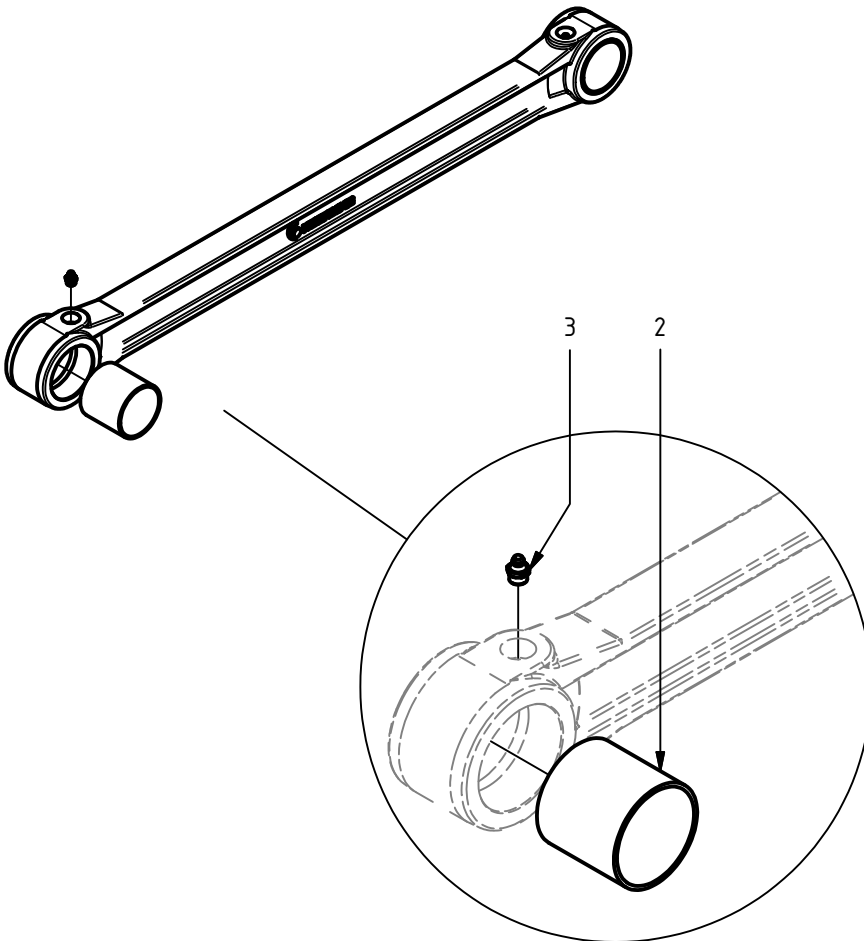
| Item | Qty. | Part Number | Description | Notes |
|------|------|-------------|----------------|----------|
| 1.8 | 2 | 0683071 | Plain Bearing | 80/85x60 |
| 1.9 | 2 | 0114004 | Grease Fitting | M6x1 |

Grapple arm, female



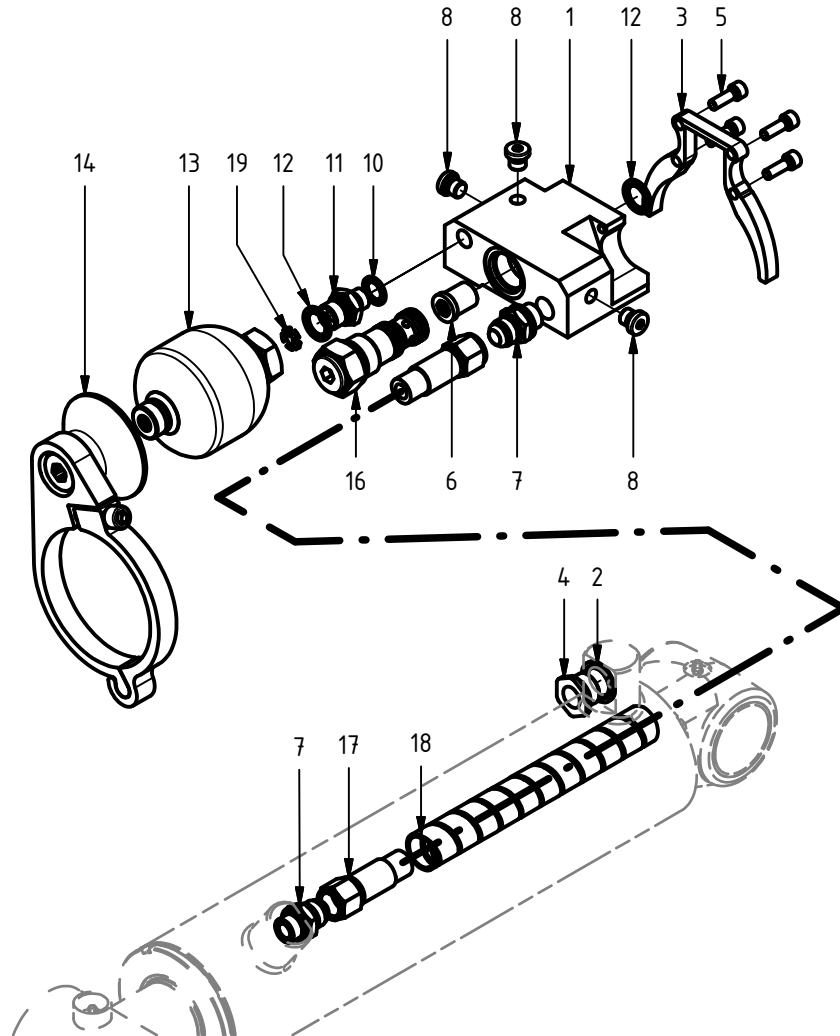
| Item | Qty. | Part Number | Description | Notes |
|------|------|-------------|----------------|----------|
| 1.9 | 2 | 0683071 | Plain Bearing | 80/85x60 |
| 1.10 | 2 | 0114004 | Grease Fitting | M6x1 |

Rod asm.



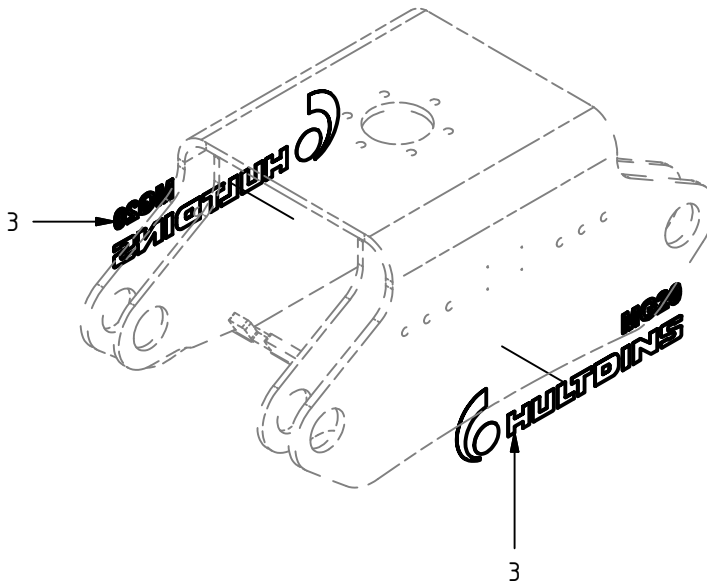
| Item | Qty. | Part Number | Description | Notes |
|------|------|-------------|----------------|------------|
| 2 | 2 | 0683072 | Plain bearing | 60/65 x 60 |
| 3 | 2 | 0114023 | Grease Fitting | M10 x 1 |

Load-check asm. MG 20



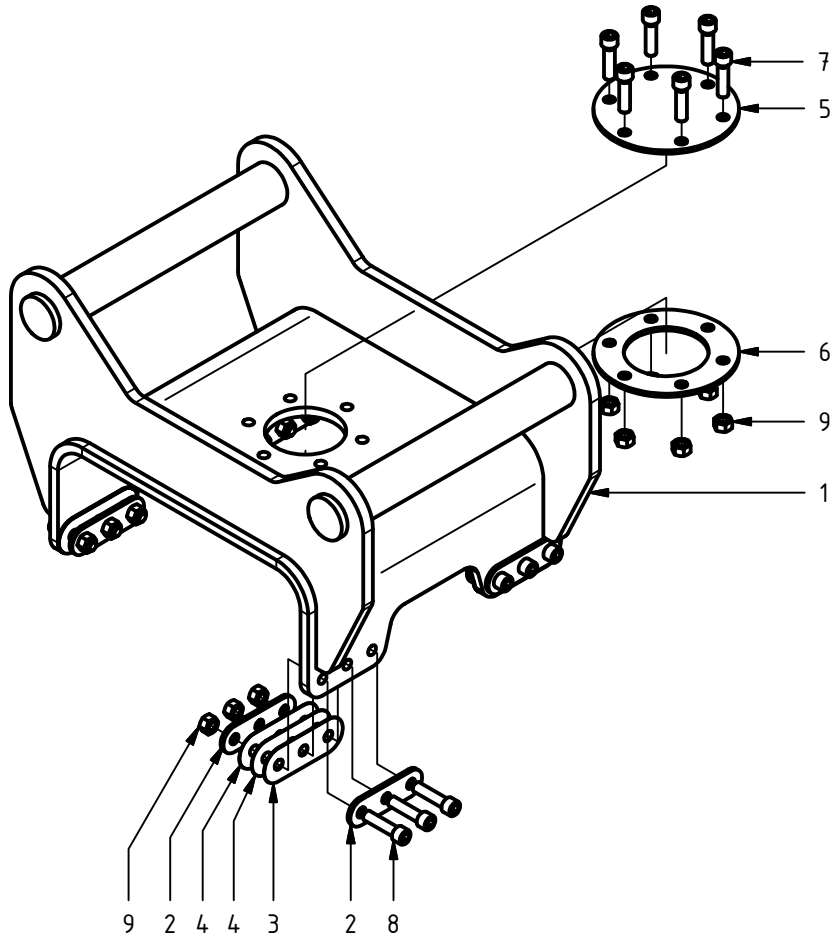
| Item | Qty. | Part Number | Description | Notes |
|------|------|-------------|--------------------------------------|-------------------|
| 1 | 1 | 0734009 | Manifold | |
| 2 | 1 | 0106584 | Bonded Seal | D9DT-12 |
| 3 | 1 | 0734038 | Support plate | |
| 4 | 1 | 0734012 | Adapter | G3/4 - G1/2 |
| 5 | 4 | 0104442 | Socket hd. Cap Screw | ISO 4762 - M8x25 |
| 6 | 1 | 0130297 | Collar screw | BSCH 1/2" |
| 7 | 2 | 0130107 | Adapter str. | SJG 1408 |
| 8 | 3 | 0130178 | Plug | VST11/4EDA3C |
| 10 | 1 | 0106581 | Bonded Seal | D9DT-6 |
| 11 | 1 | 0130439 | Restrictor adapter $\varnothing 1,5$ | 133-06-08-1,5 |
| 12 | 2 | 0106577 | Bonded Seal | D9DT-8 |
| 13 | 1 | 0136374 | Accumulator 0,32 L | 0,32 L - 9,0 MPa |
| 14 | 1 | 0734035 | Acc. bracket asm. MG 20 | |
| 16 | 1 | 0136231 | Check valve, pilot operated | RP16A-01-C-N-15-4 |
| 16.2 | 1 | 0121123 | Seal kit | FS163-N |
| 17 | 1 | 0734079 | Hose asm. | 1/2", OAL=230 mm |
| 18 | 1 | 0734082 | Hose cover | L = 250 mm |
| 19 | 1 | 0715357 | Washer | |

Labels MG 20



| Item | Qty. | Part Number | Description | Notes |
|------|------|-------------|-------------|-------|
| 3 | 2 | 0146128 | Label MG20 | |

Bracket S70 asm.



| Item | Qty. | Part Number | Description | Notes |
|------|------|-------------|----------------------|-------------------|
| 1 | 1 | 0734304 | Bracket S70 asm. | item # 1-9 |
| 2 | 8 | 0734026 | Washer | |
| 3 | 4 | 0734027 | Shim 1,0 | |
| 4 | 8 | 0734028 | Shim 0,5 | |
| 5 | 1 | 0734024 | Plate | |
| 6 | 1 | 0734025 | Plate | |
| 7 | 6 | 0104121 | Socket hd. cap screw | ISO 4762 - M16x60 |
| 8 | 12 | 0104363 | Socket hd. cap screw | ISO 4762 - M16x65 |
| 9 | 18 | 0106030 | Hex Nut | ISO 4032 M16 |

HULTDINS MultiGrip



Hultdin System AB
Skolgatan 12, SE-930 70 MALÅ, Sweden
tel. +46 953 418 00, fax +46 953 418 01
E-mail: sales@hultdins.se

English

Hultdins Inc.
22 Morton Avenue East
Brantford, Ontario, Canada N3R 7J7
tel (519) 754-0044, fax (519) 754-1569
E-mail: info@hultdins.com