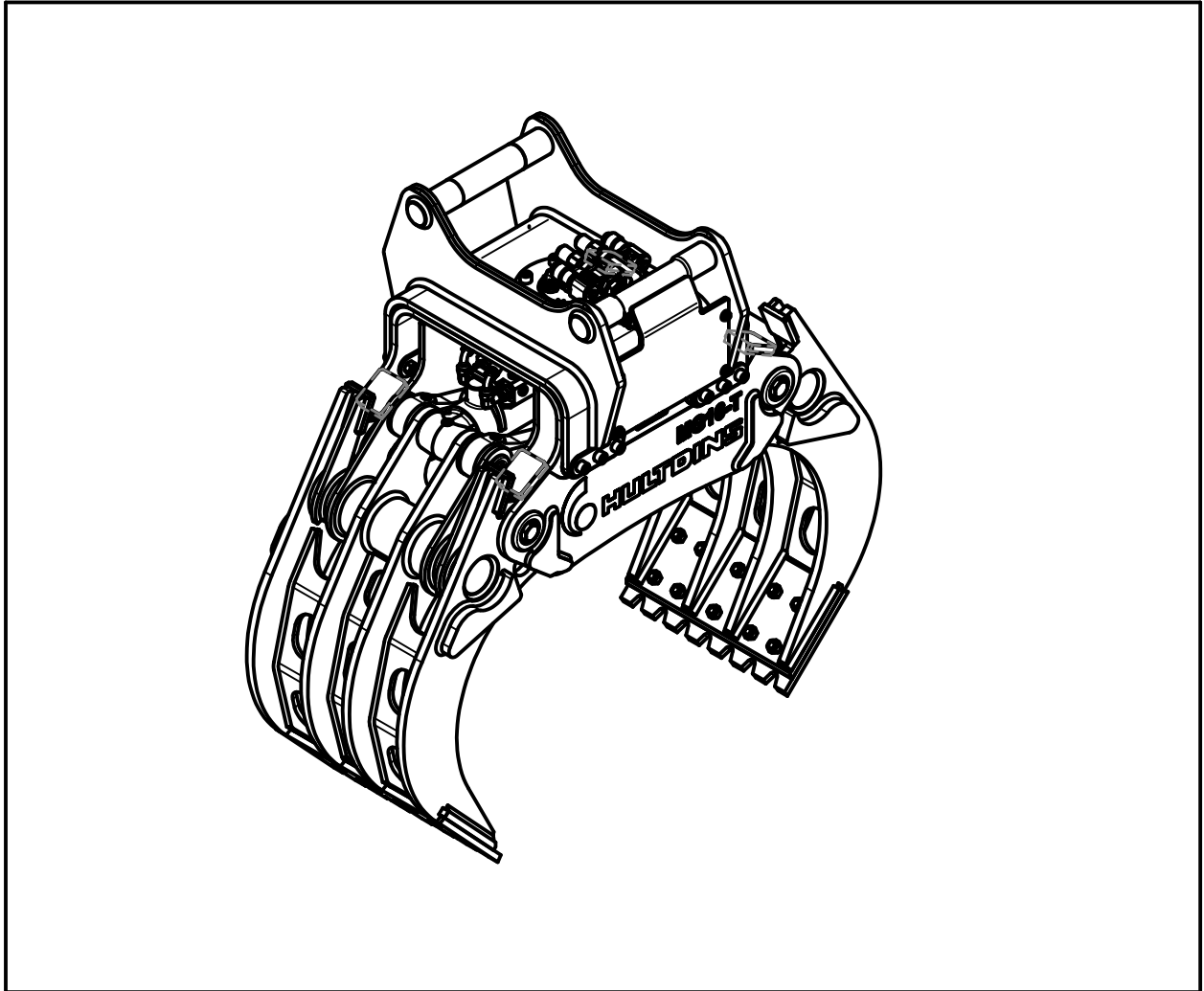


# **HULTDINS** MultiGrip

---



MultiGrip 16-T / 0Q60

2016-01-29

Rev. P01

Doc.Nr. 7734711-EN

Utg. 01-16

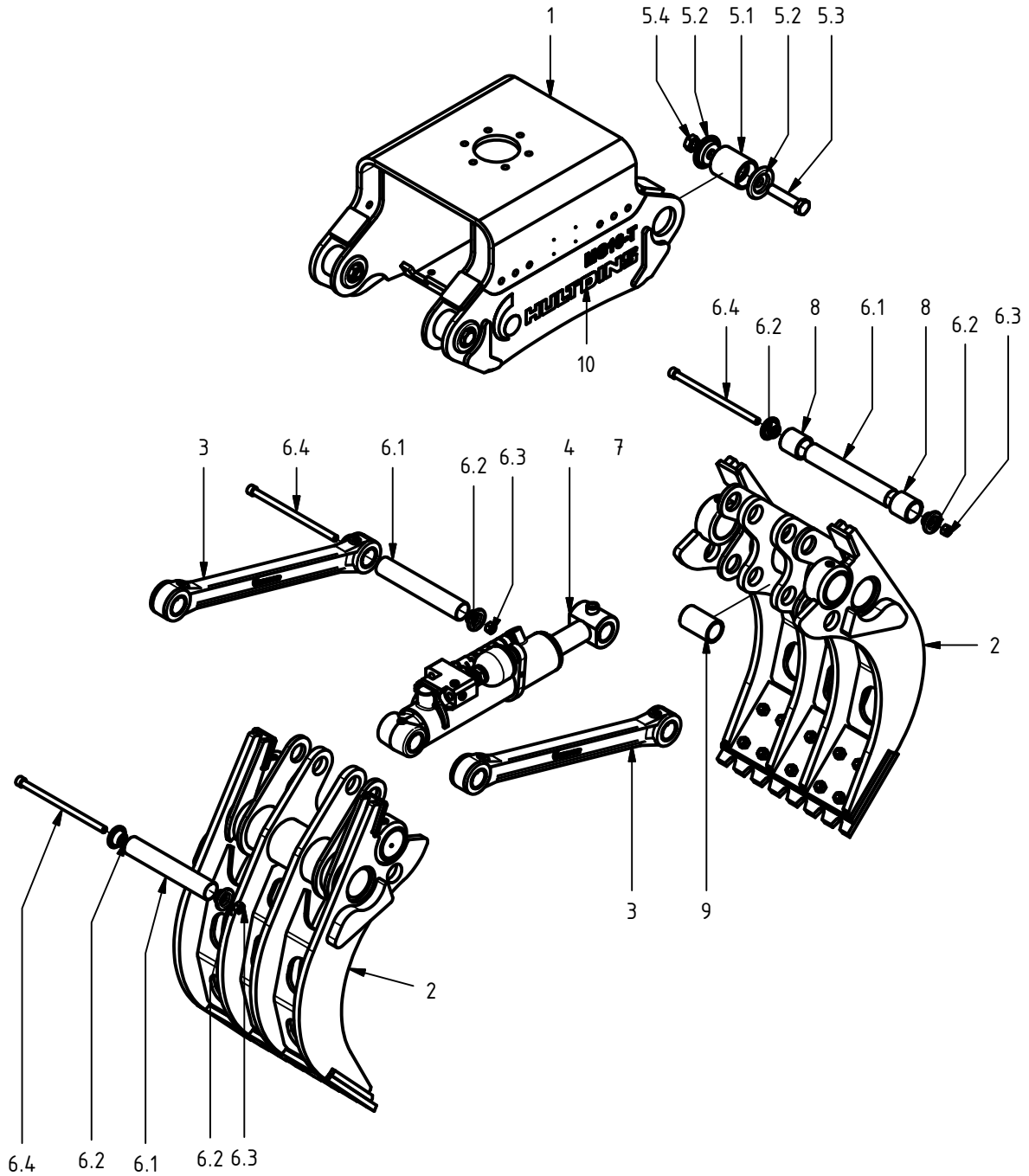
English

Spare Parts manual

0734711

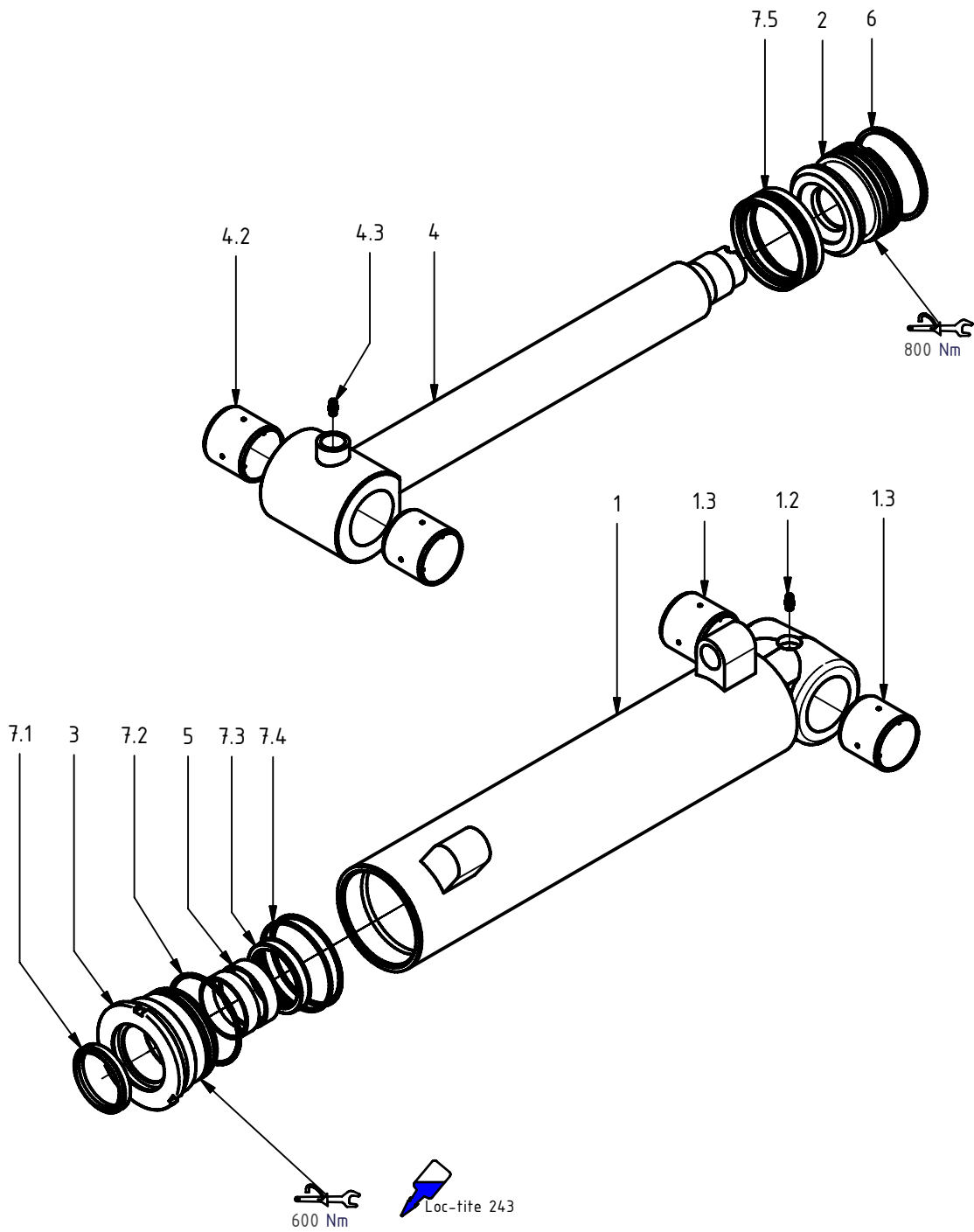
S/N 060-0048 & up

MultiGrip 16-T



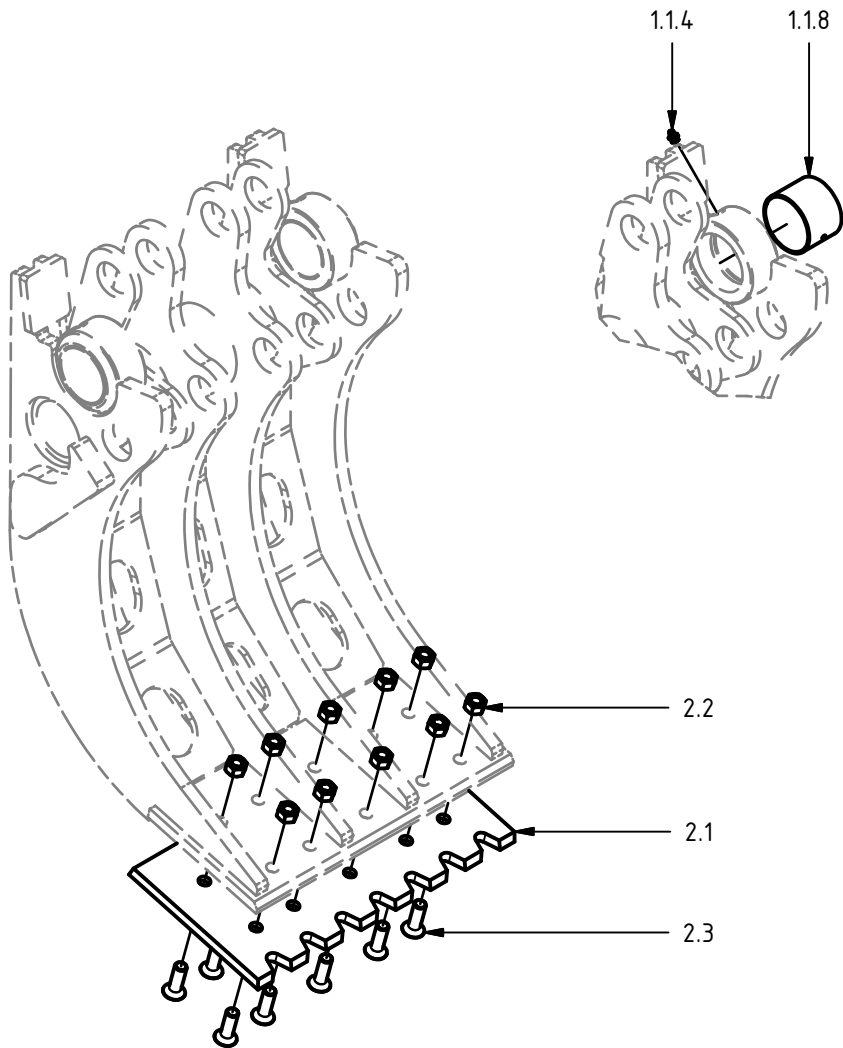
Item	Qty.	Part Number	Description	Notes
1	1	0734180	Frame MG 16-T	
2	2	0734162	Grapple arm asm.	
3	2	0680910	Rod asm.	
4	1	0150002	Hydraulic cylinder $\varnothing$ 90/56	
5	4	0734015	Pin joint $\varnothing$ 80 asm.	$\varnothing$ 80 x 095
5.1	1	0734014	Pin	$\varnothing$ 80 x 095
5.2	2	0683021	Washer $\varnothing$ 80	
5.3	1	0104634	Hex hd. cap screw	ISO 4014 M24 x 110
5.4	1	0106033	Hex nut	ISO 4032 M24
6	3	0680545	Pin joint $\varnothing$ 50 asm.	
6.1	1	0680075	Pin	$\varnothing$ 50 x 294
6.2	2	0680054	Washer $\varnothing$ 50	
6.3	1	0106030	Hex Nut	ISO 4032 M16
6.4	1	0104115	Socket hd. Cap Screw	ISO 4762 - M16x300
7	1	0734010	Load check asm. MG16	
8	2	0734175	Sleeve	
9	1	0734176	Sleeve	
10	1	0734182	Labels MG16-T	

Hydraulic cylinder ø90/56



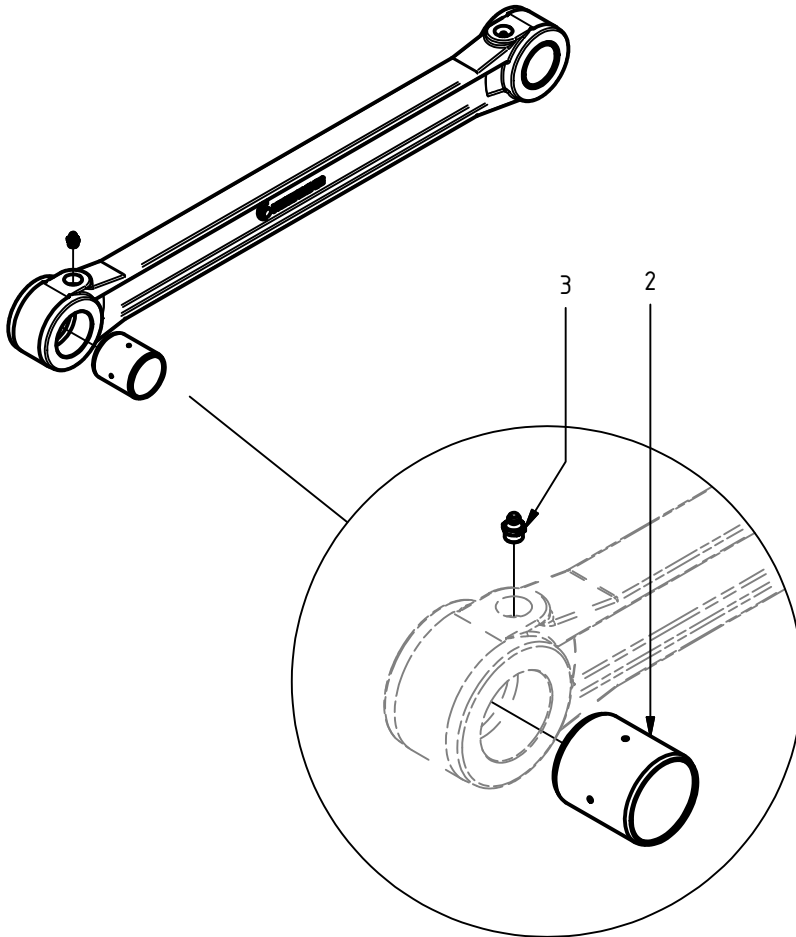
Item	Qty.	Part Number	Description	Notes
1	1	0150505	Barrel asm.	incl. item #1.3-1.3
1.2	1	0114004	Grease Fitting	M6x1
1.3	2	0680073	Plain bearing	Ø50/55x50
2	1	0150506	Piston	90/56
3	1	0150507	Gland	90/56
4	1	0150508	Rod asm.	incl. item #4.2-4.3
4.2	2	0680073	Plain bearing	Ø50/55x50
4.3	1	0114004	Grease Fitting	M6x1
5	2	0150525	Guide Ring	61/56 x 15-PF
6	1	0150528	Piston Ring	90 S
7	1	0121077	Seal kit 90/56	
7.1	1	-	Dust Seal	PA 56/66 x 7 x 10
7.2	2	-	O-ring	84,5 x 3,0
7.3	1	-	Rod Seal	SI/L 56/71 x 12,5
7.4	1	-	Backup Ring	85/90 x 1,3
7.5	1	-	Piston Seal	M/R-PF 90/75 x 20

Grapple arm asm.



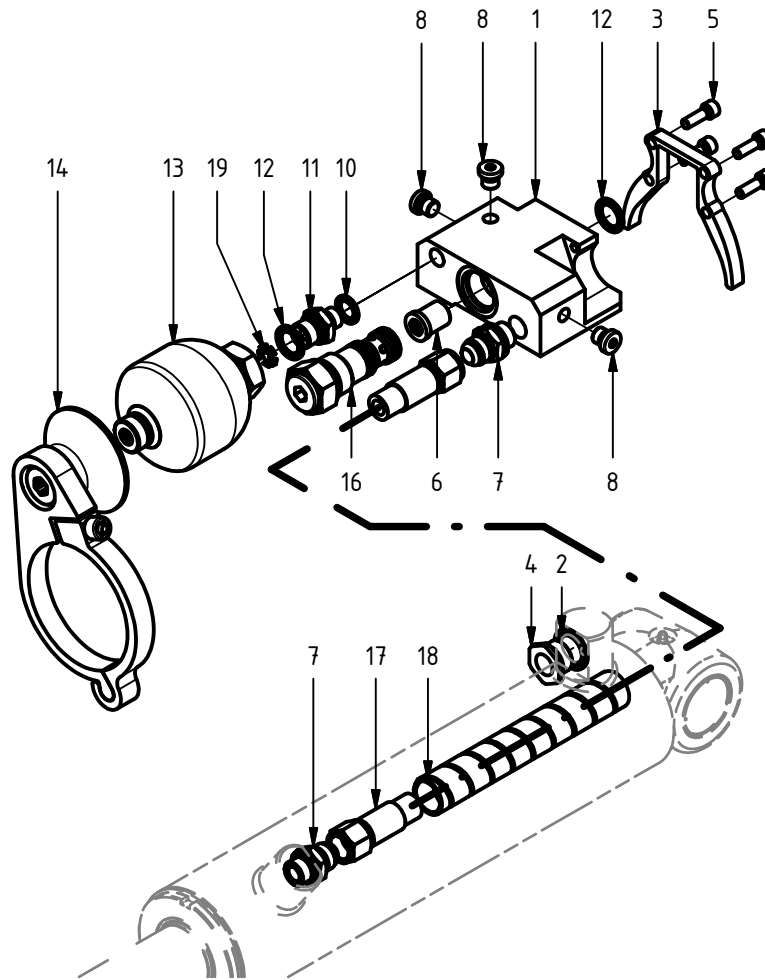
Item	Qty.	Part Number	Description	Notes
1.1.4	2	0114.023	Grease Fitting	M10 x 1
1.1.8	2	0124.129	Plain bearing	∅80/85x60
2	1	0734.173	Plate, spare parts kit	item #2.1-2.3
2.1	1	0734.174	Plate	
2.2	10	0106.030	Hex Nut	ISO 4032 M16
2.3	10	0104.677	Socket countersunk hd. screw	ISO 10642 - M16x50

Rod asm.



Item	Qty.	Part Number	Description	Notes
2	2	0680072	Plain bearing	∅050/055x060 PDE
3	2	0114023	Grease Fitting	M10 x 1

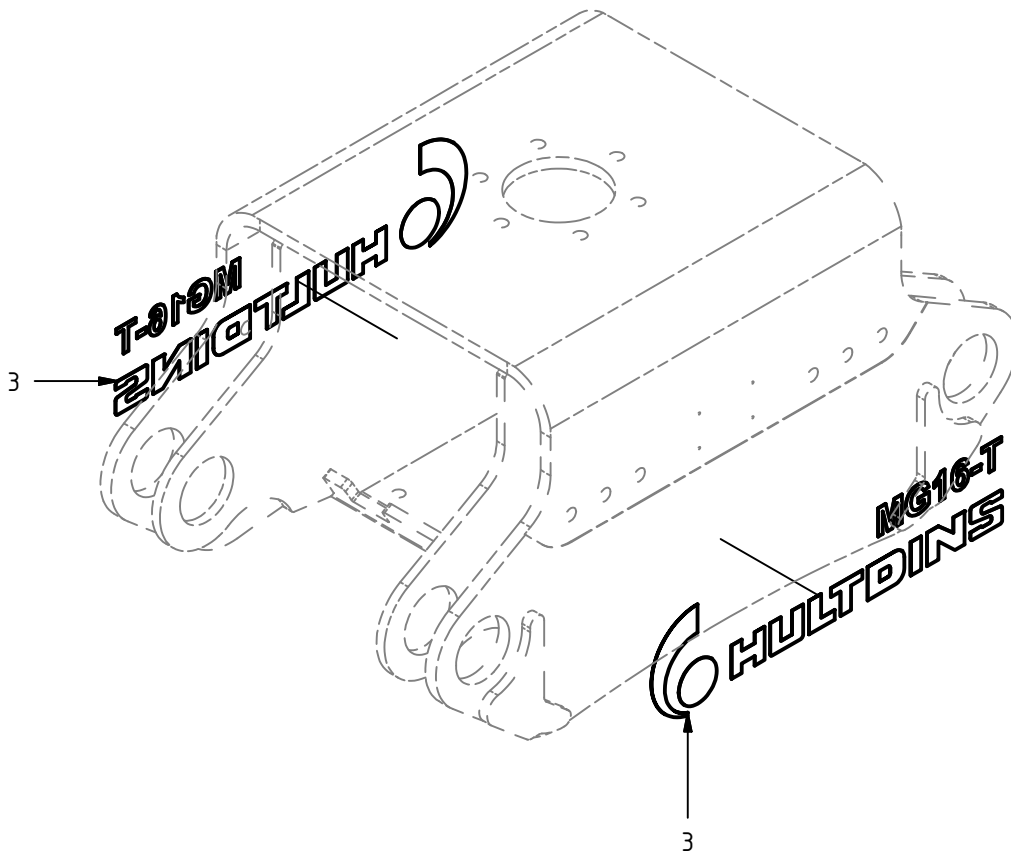
Load check asm. MG16



Item	Qty.	Part Number	Description	Notes
1	1	0734009	Manifold	
2	1	0106584	Bonded Seal	D9DT-12
3	1	0734011	Support plate	
4	1	0734012	Adapter	G3/4 - G1/2
5	4	0104442	Socket hd. Cap Screw	ISO 4762 - M8x25
6	1	0130297	Collar screw	BSCH 1/2"
7	2	0130107	Adapter str.	SJG 1408
8	3	0130178	Plug	VST11/4EDA3C
10	1	0106581	Bonded Seal	D9DT-6
11	1	0130439	Restrictor adapter $\varnothing$ 1,5	133-06-08-1,5
12	2	0106577	Bonded Seal	D9DT-8
13	1	0136374	Accumulator 0,32 L	0,32 L - 9,0 MPa
14	1	0734006	Acc. bracket asm. MG 16	
16	1	0136231	Check valve, pilot operated	RP16A-01-C-N-15-4
16.2	1	0121123	Seal kit	FS163-N
17	1	0734078	Hose asm.	1/2", OAL=175 mm
18	1	0734081	Hose cover	L = 210 mm
19	1	0715357	Washer	

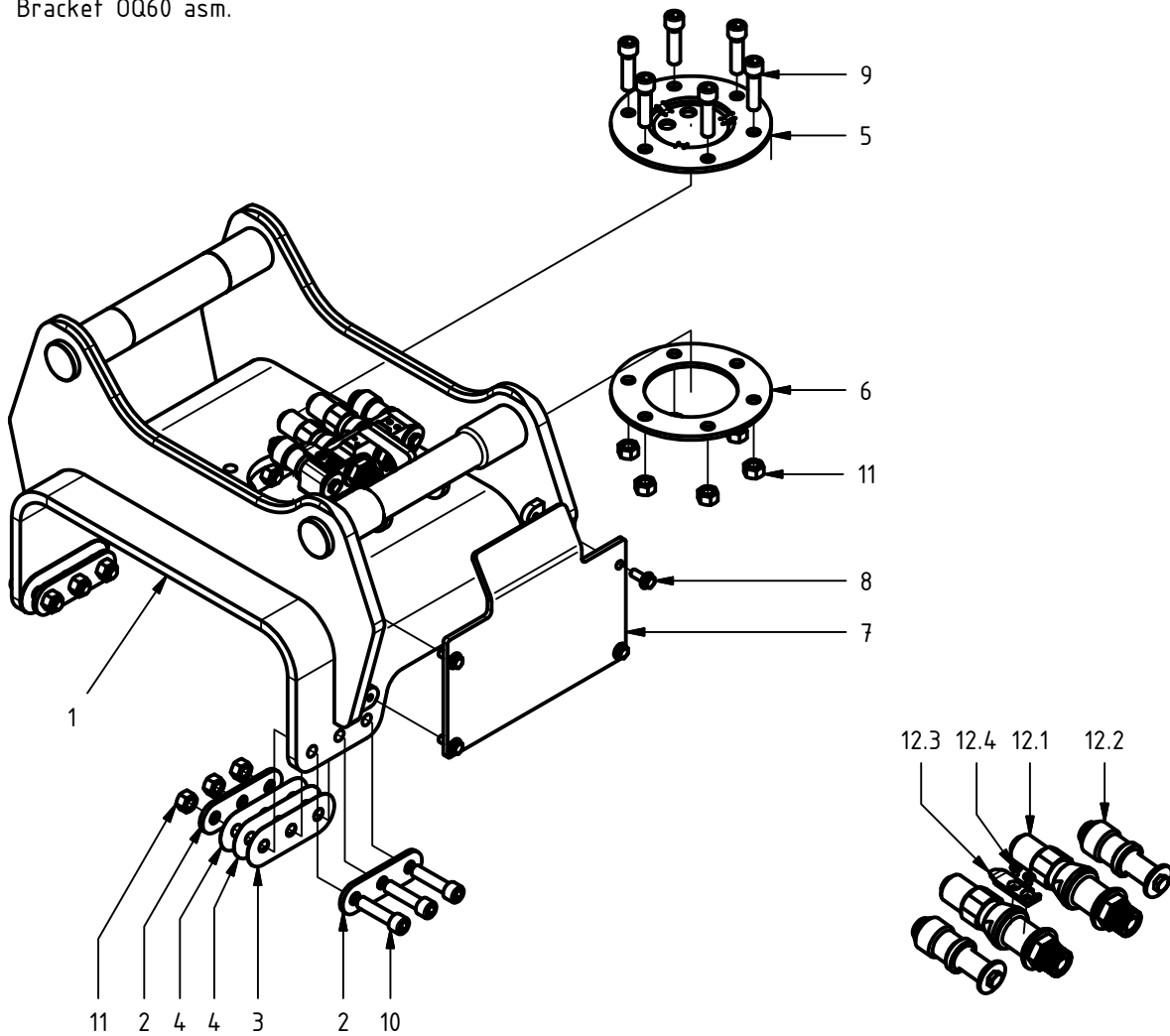


Labels MG16-T



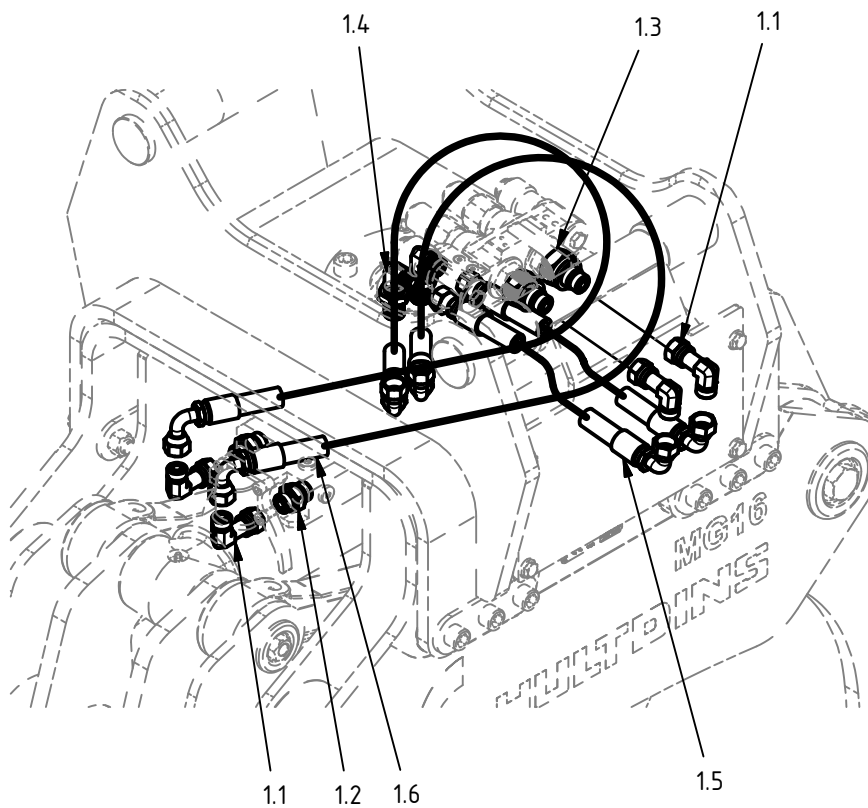
Item	Qty.	Part Number	Description	Notes
3	2	0146152	Label MG16-T	

Bracket OQ60 asm.



Item	Qty.	Part Number	Description	Notes
1	1	0734310	Bracket OQ60 asm.	item # 1-12
2	8	0734026	Washer	
3	4	0734027	Shim 1,0	
4	8	0734028	Shim 0,5	
5	1	0734119	Plate	
6	1	0734025	Plate	
7	1	0734106	Cover Plate	
8	4	0104009	Hex hd. flange screw	DIN 6921 - M10 x 25
9	6	0104121	Socket hd. cap screw	ISO 4762 - M16x60
10	12	0104363	Socket hd. cap screw	ISO 4762 - M16x65
11	18	0106030	Hex Nut	ISO 4032 M16
12	1	0734413	Mtg. kit OQ60	OilQuick
12.1	2	0734409	Connector 3/4"	OilQuick 511 0083
12.2	2	0734410	Plug 1/2"	OilQuick 411 3860
12.3	1	0734411	Plate	OilQuick 411 3764
12.4	2	0104870	Socket countersunk hd. screw	ISO 10642 - M6 x 10

Hose kit 0Q60



Item	Qty.	Part Number	Description	Notes
1	1	0734123	Hose kit 0Q60	
1.1	4	0130413	Elbow nipple 90°, orfs	W00 1363
1.2	2	0130412	Adapter str.	SOG 1308
1.3	2	0130416	Reducer, orfs	R00 1369
1.4	2	0130446	Bulhead union 90	C00 1313
1.5	2	0734129	Hose asm. ORFS	1/2", OAL=230
1.6	2	0734118	Hose asm. ORFS	1/2", OAL=900

# **HULTDINS** MultiGrip

---



Hultdin System AB  
Skolgatan 12, SE-930 70 MALÅ, Sweden  
tel. +46 953 418 00, fax +46 953 418 01  
E-mail: [sales@hultdins.se](mailto:sales@hultdins.se)

---

English

Hultdins Inc.  
22 Morton Avenue East  
Brantford, Ontario, Canada N3R 7J7  
tel (519) 754-0044, fax (519) 754-1569  
E-mail: [info@hultdins.com](mailto:info@hultdins.com)