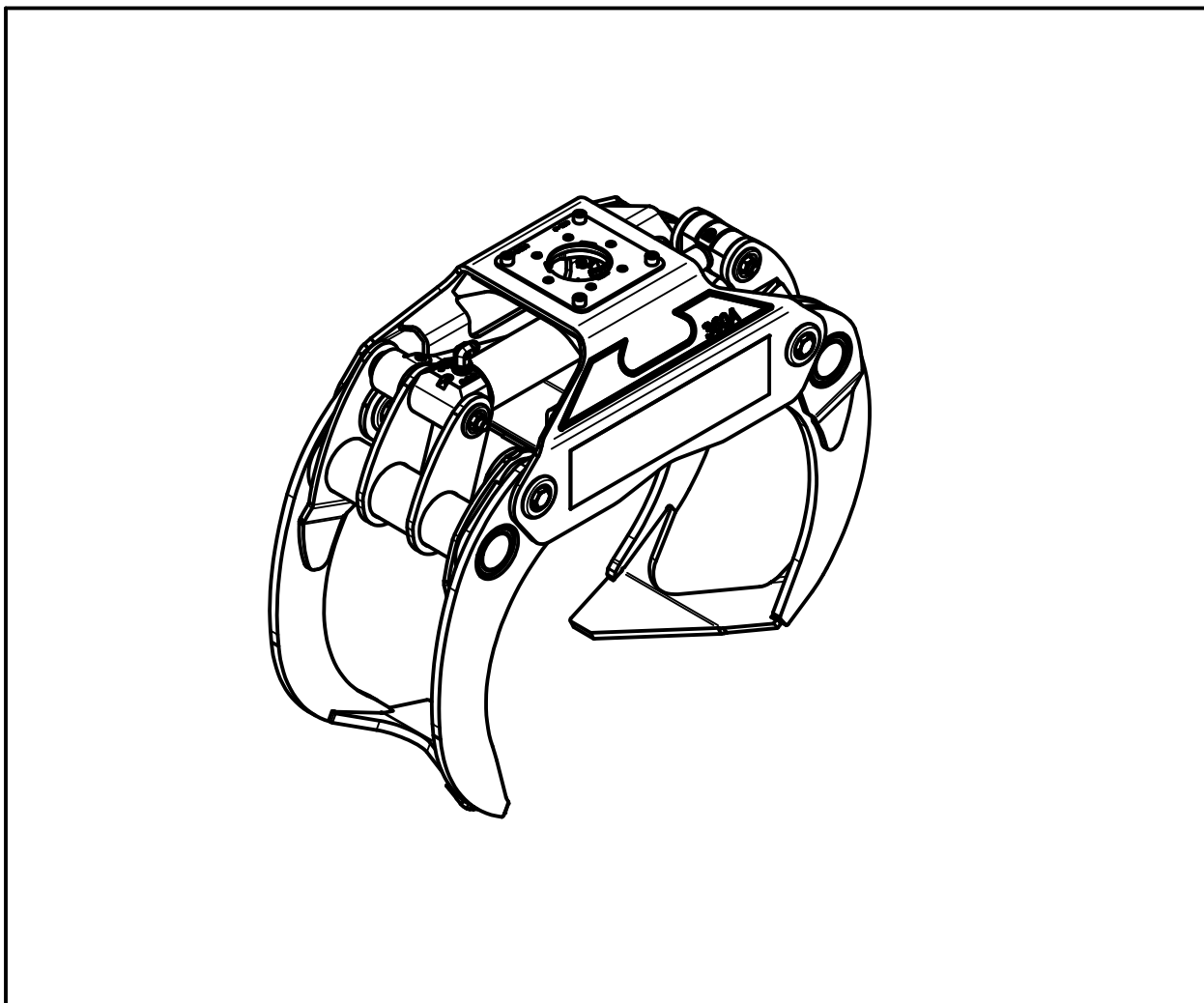


# HULTDINS SuperGrip II™

---



2015-08-24

Rev. 03

Doc.Nr. 7718660-EN

Utg. 01-15

English

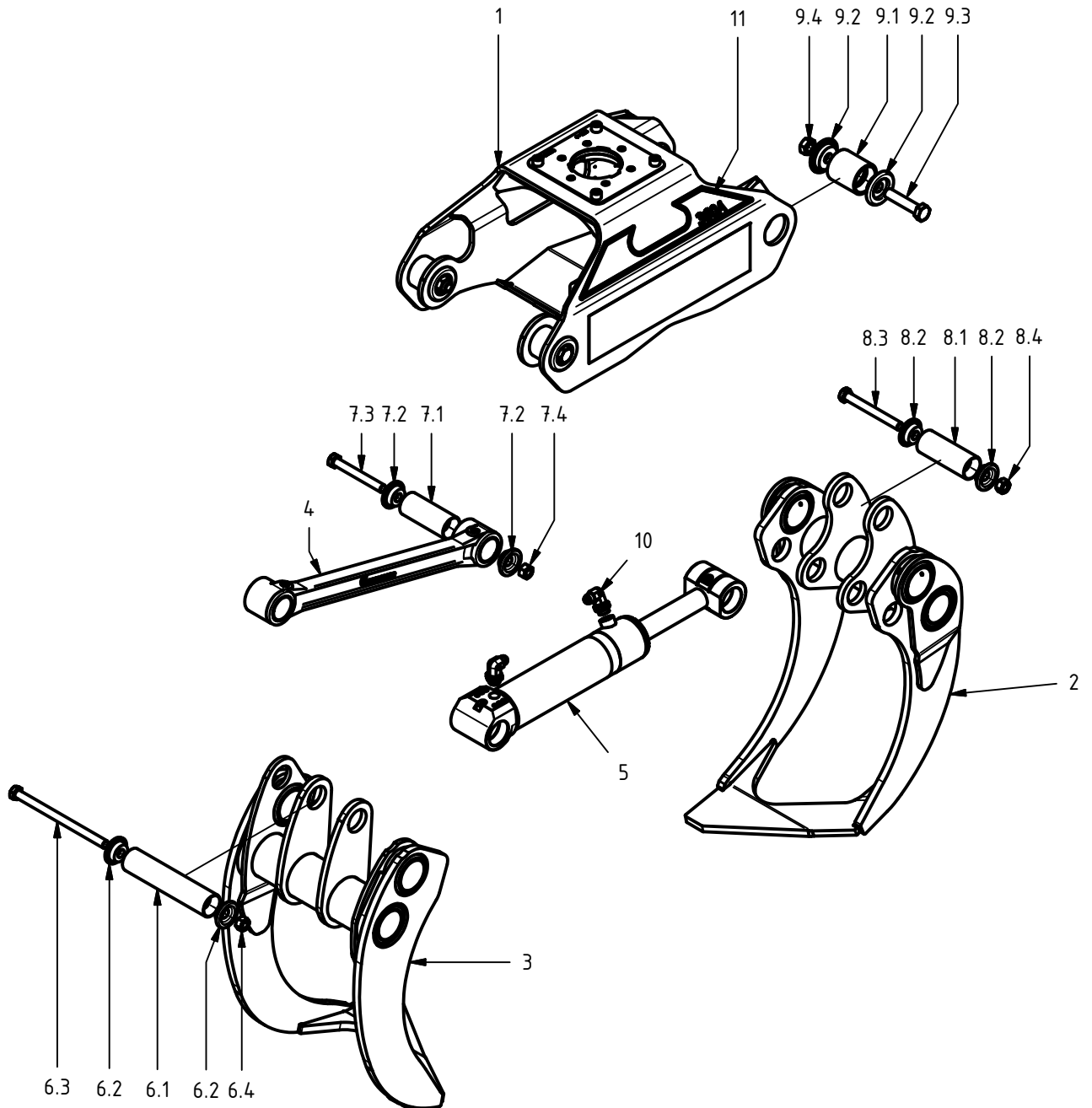
SuperGrip II 360A

Spare Parts manual

0718660

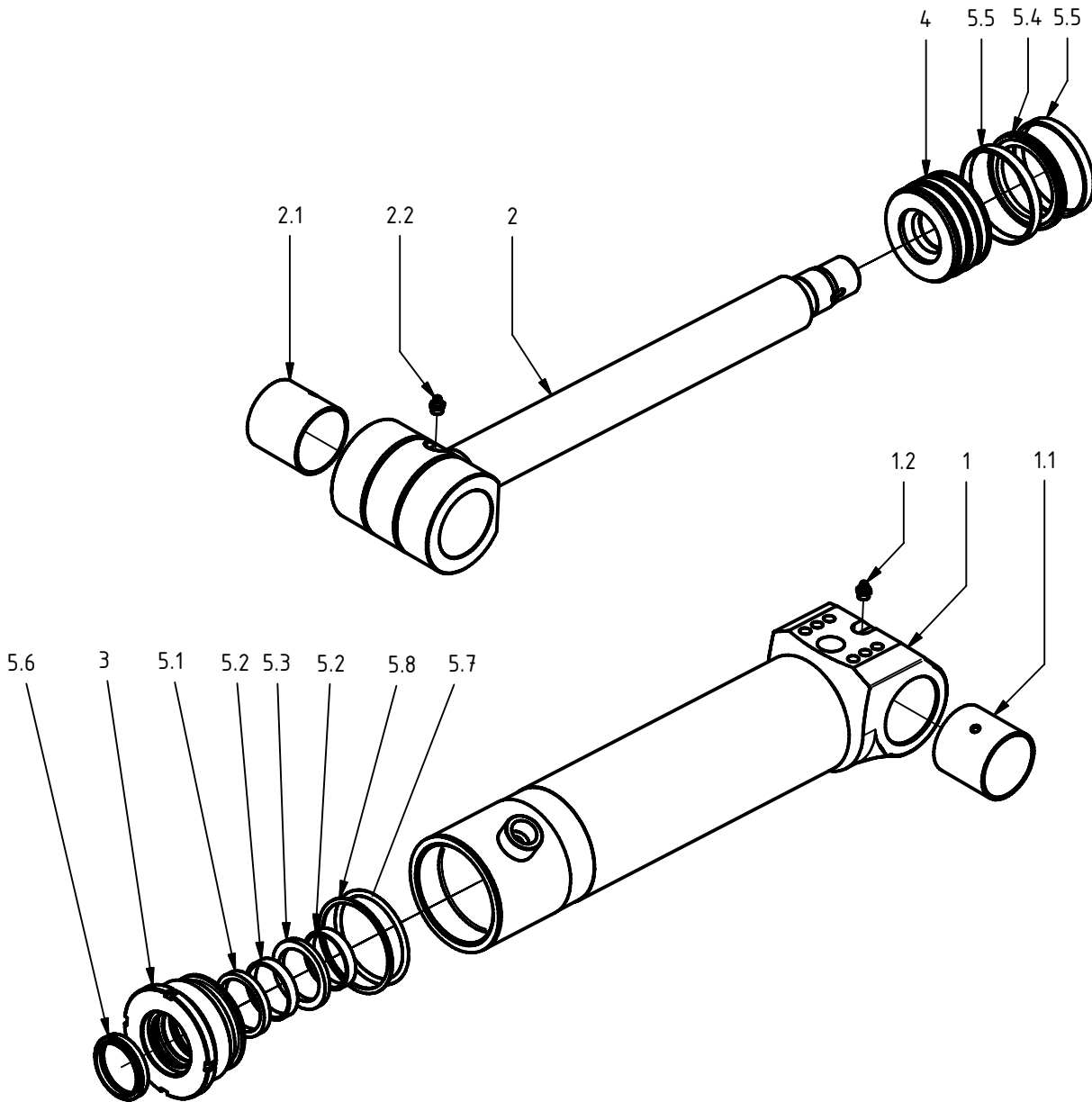
S/N 050-1578 and up

SuperGrip II 360A



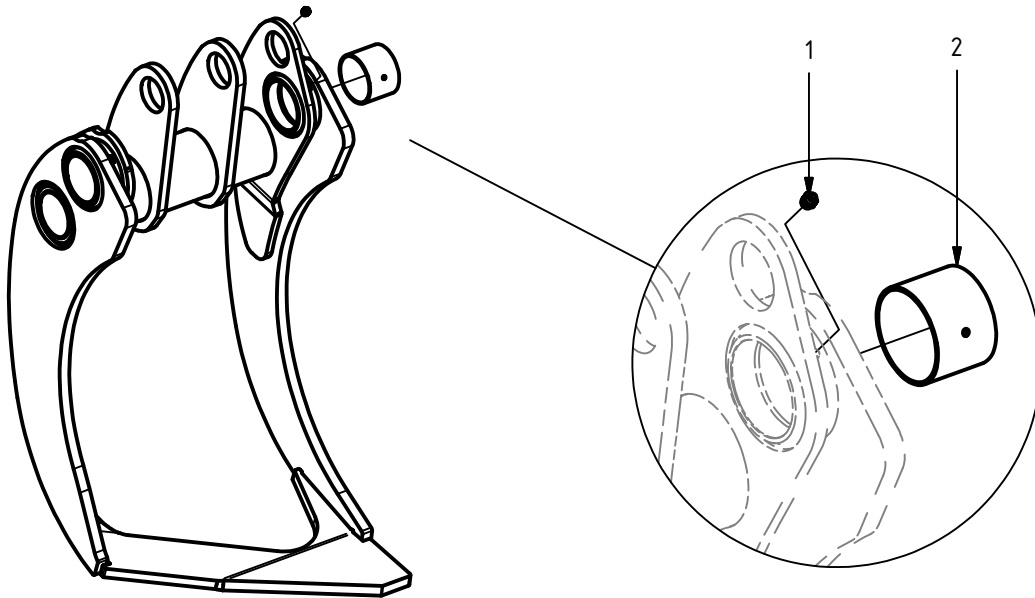
Item	Qty.	Part Number	Description	Notes
1	1	0718080	Frame	
2	1	0718061	Male grapple arm asm.	
3	1	0718060	Female grapple arm asm.	
4	1	0718645	Push rod asm.	
5	1	0150052	Hydraulic cylinder	ø90/50
6	1	0718841	Pin joint ø60 asm.	ø60 x 276
6.1	1	0718809	Pin	ø60 x 276
6.2	2	0683054	Washer ø60	
6.3	1	0104914	Hex hd. cap screw	ISO 4014 - M20x300
6.4	1	0106032	Hex nut	ISO 4032 M20
7	1	0683441	Pin joint ø60 asm.	ø60 x 147
7.1	1	0683059	Pin	ø60 x 147
7.2	2	0683054	Washer ø60	
7.3	1	0104087	Hex hd. cap screw	ISO 4014 M20x160
7.4	1	0106032	Hex nut	ISO 4032 M20
8	1	0718843	Pin joint ø60 asm.	ø60 x 160
8.1	1	0718811	Pin	ø60 x 160
8.2	2	0683054	Washer ø60	
8.3	1	0104913	Hex hd. cap screw	ISO 4014 M20x180
8.4	1	0106032	Hex nut	ISO 4032 M20
9	4	0680540	Pin joint ø80 asm.	ø80 x 090
9.1	1	0680521	Pin	ø80 x 090
9.2	2	0683021	Washer ø80	
9.3	1	0104634	Hex hd. cap screw	ISO 4014 M24 x 110
9.4	1	0106033	Hex nut	ISO 4032 M24
10	2	0130388	Elbow nipple	WJG 1412
11	1	-	Label kit 360A	

Hydraulic cylinder



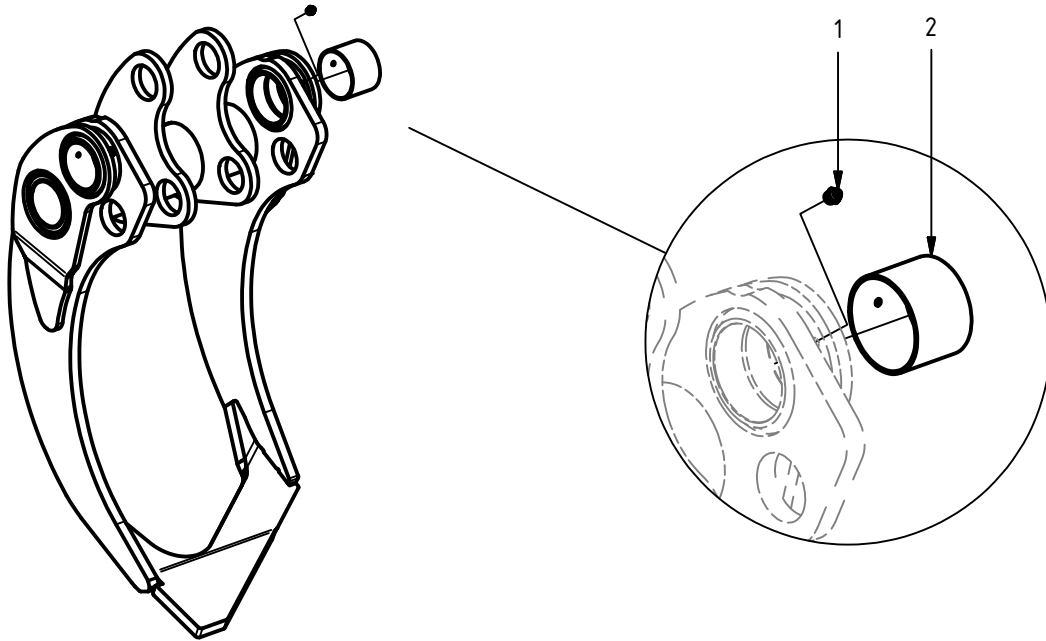
Item	Qty.	Part Number	Description	Notes
1	1	0718762	Barrel asm. $\varnothing$ 90	
1.1	1	0124120	Plain bearing	$\varnothing$ 60/65x60
1.2	1	0114023	Grease Fitting	M10 x 1
2	1	0718796	Piston rod asm.	
2.1	1	0124120	Plain bearing	$\varnothing$ 60/65x60
2.2	1	0114023	Grease Fitting	M10 x 1
3	1	0718754	Gland $\varnothing$ 90/50	
4	1	0718800	Piston $\varnothing$ 90	
5	1	0121106	Seal kit 90/50	
5.1	1	-	Piston rod seal	$\varnothing$ 50/60 x 7,3
5.2	2	-	Guide ring	$\varnothing$ 50/55 x 9,7
5.3	1	-	Piston rod seal	$\varnothing$ 50/65,1 x 6,3
5.4	1	-	Piston seal	$\varnothing$ 69/90 x 7,8
5.5	2	-	Guide ring	$\varnothing$ 85/90 x 9,6
5.6	1	-	Wiper	$\varnothing$ 50/60x7x10
5.7	1	-	O-ring	$\varnothing$ 78,74 x 5,33
5.8	1	-	Backup ring	$\varnothing$ 81,4/90,0 x 1,7

Female grapple arm asm.



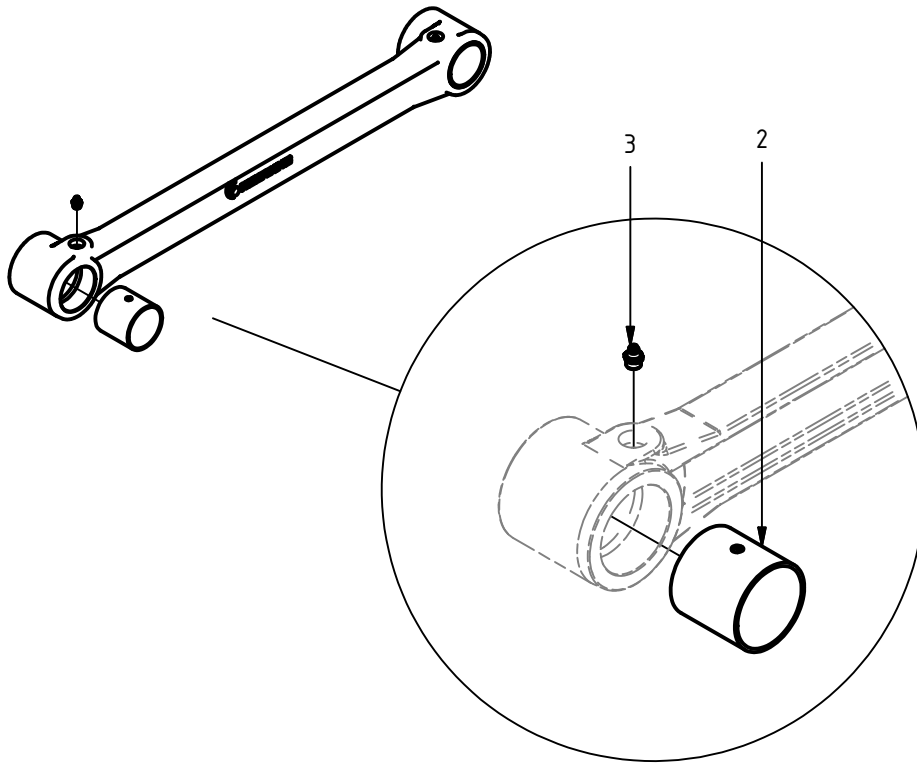
Item	Qty.	Part Number	Description	Notes
1	2	0114023	Grease Fitting	M10 x 1
2	2	0124129	Plain bearing	ø80/85x60

Male grapple arm asm.



Item	Qty.	Part Number	Description	Notes
1	2	0114023	Grease Fitting	M10 x 1
2	2	0124129	Plain bearing	∅80/85x60

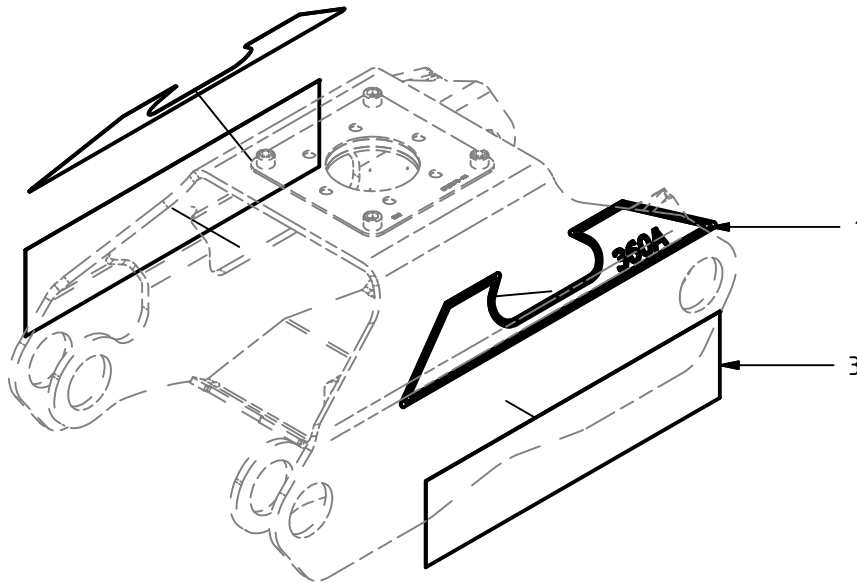
Push rod asm.



Item	Qty.	Part Number	Description	Notes
2	2	0124120	Plain bearing	∅60/65x60
3	2	0114023	Grease Fitting	M10 x 1



Label kit 360A



Item	Qty.	Part Number	Description	Notes
1	2	014.6120	Label 360A	
3	2	014.6116	Label	

# **HULTDINS** *SuperGrip II*™

---



Hultdin System AB  
Skolgatan 12, SE-930 70 MALÅ, Sweden  
tel. +46 953 418 00, fax +46 953 418 01  
E-mail: [sales@hultdins.se](mailto:sales@hultdins.se)

---

English

Hultdins Inc.  
22 Morton Avenue East  
Brantford, Ontario, Canada N3R 7J7  
tel (519) 754-0044, fax (519) 754-1569  
E-mail: [info@hultdins.com](mailto:info@hultdins.com)