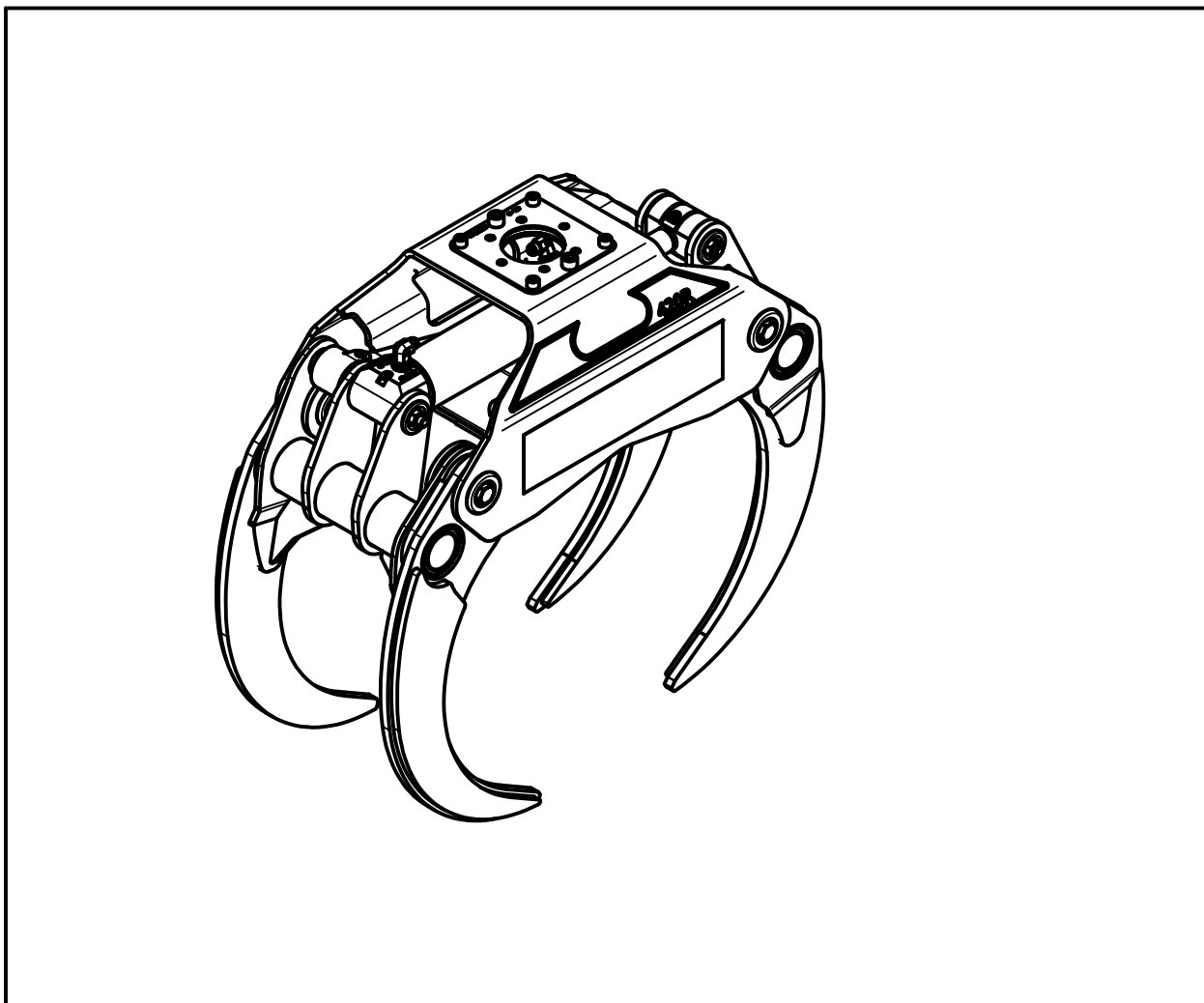


# **HULTDINS** *SuperGrip II*™

---



2010-10-01

Rev. 08

Doc.Nr. 7718650-EN

Utg. 01-13

English

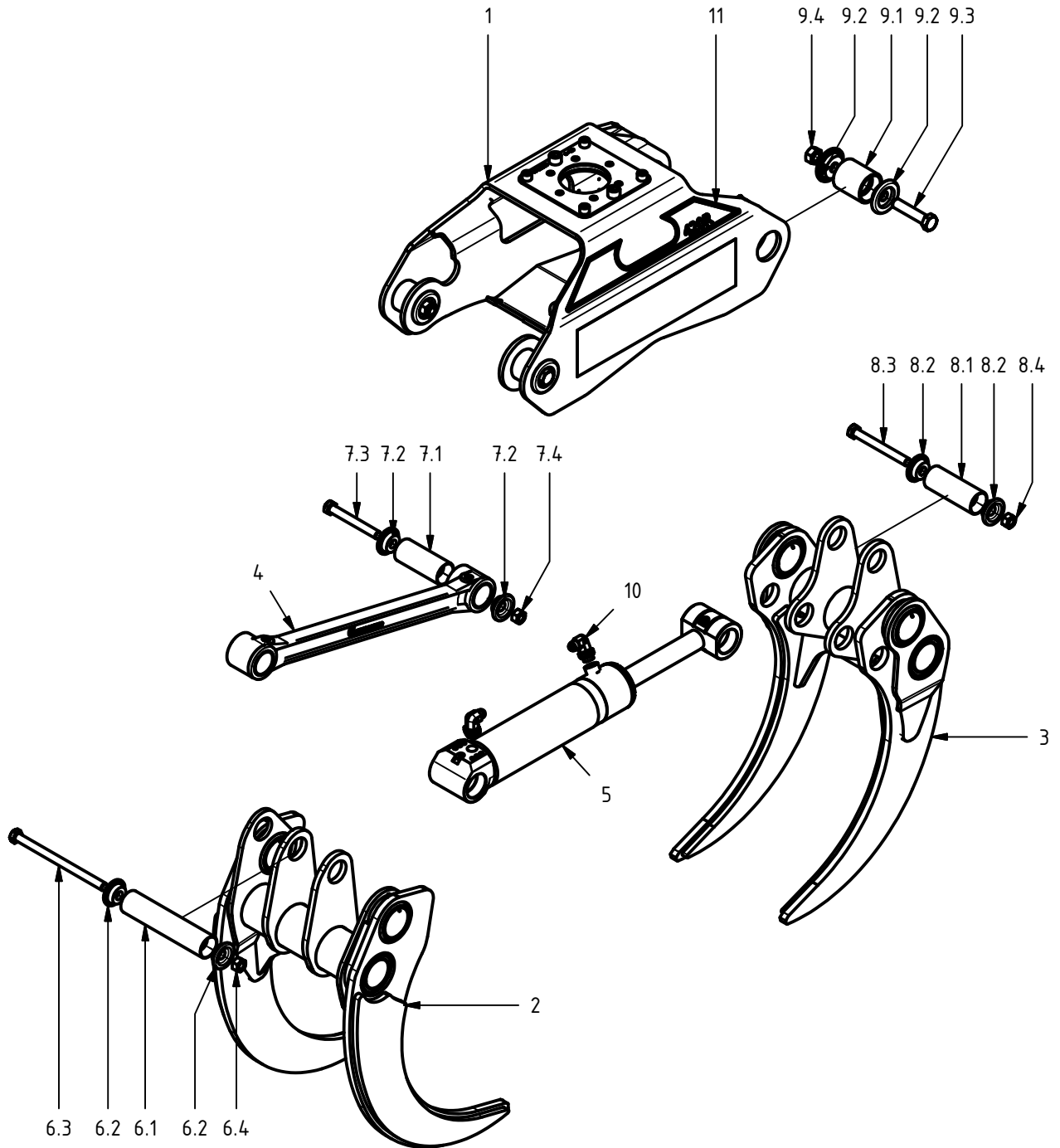
**SuperGrip II 420R**

**Spare Parts manual**

**0718650**

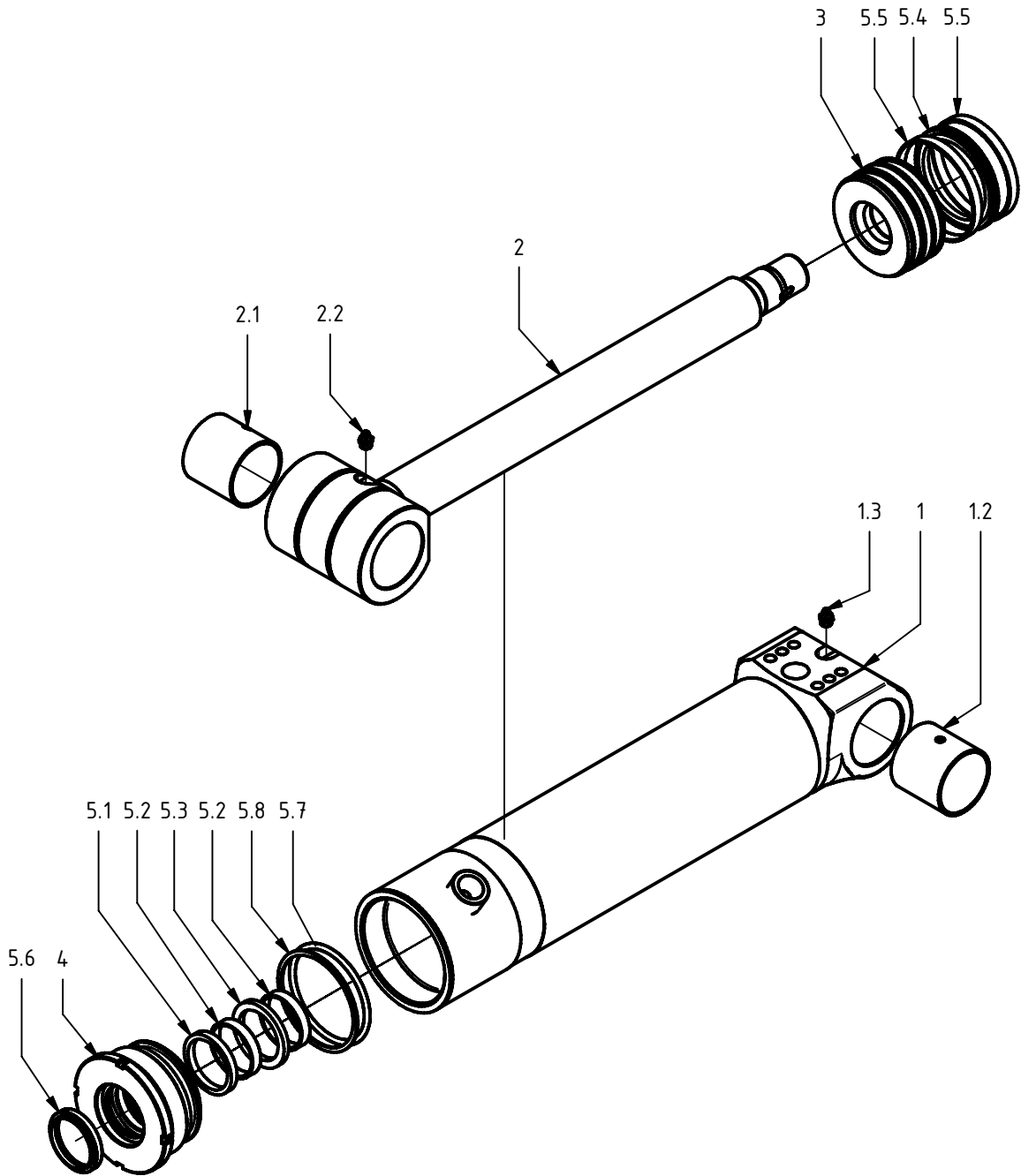
**S/N 051-1106 and up**

SuperGrip II 420R



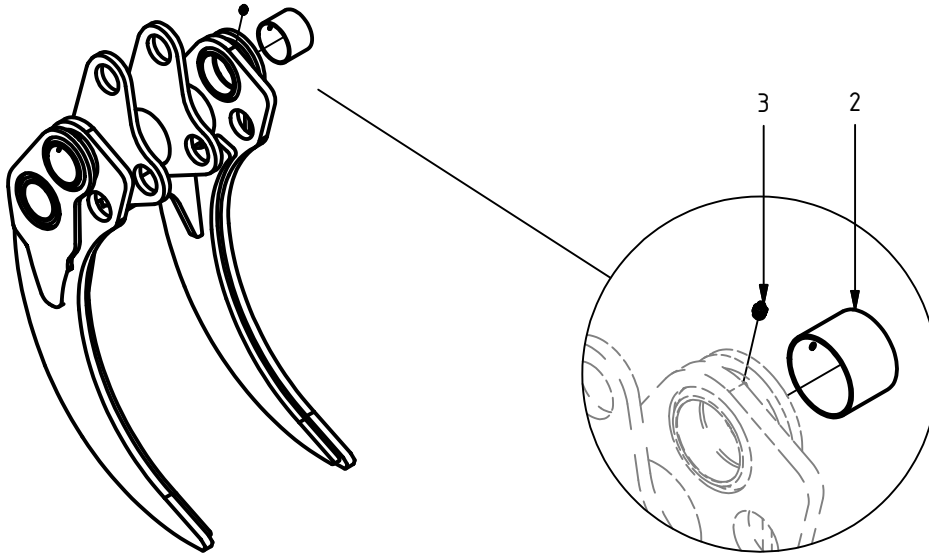
Item	Qty.	Part Number	Description	Notes
1	1	0718140	Frame	
2	1	0718662	Female grapple arm asm.	
3	1	0718661	Male grapple arm asm.	
4	1	0718640	Push rod asm.	
5	1	0150053	Hydraulic Cylinder $\varnothing$ 100/50	
6	1	0718841	Pin joint $\varnothing$ 60 asm.	$\varnothing$ 60 x 276
6.1	1	0718809	Pin	$\varnothing$ 60 x 276
6.2	2	0683054	Washer $\varnothing$ 60	
6.3	1	0104914	Hex hd. cap screw	ISO 4014 - M20x300
6.4	1	0106032	Hex nut	ISO 4032 M20
7	1	0683441	Pin joint $\varnothing$ 60 asm.	$\varnothing$ 60 x 147
7.1	1	0683059	Pin	$\varnothing$ 60 x 147
7.2	2	0683054	Washer $\varnothing$ 60	
7.3	1	0104087	Hex hd. cap screw	ISO 4014 M20x160
7.4	1	0106032	Hex nut	ISO 4032 M20
8	1	0718843	Pin joint $\varnothing$ 60 asm.	$\varnothing$ 60 x 160
8.1	1	0718811	Pin	$\varnothing$ 60 x 160
8.2	2	0683054	Washer $\varnothing$ 60	
8.3	1	0104913	Hex hd. cap screw	ISO 4014 M20x180
8.4	1	0106032	Hex nut	ISO 4032 M20
9	4	0680540	Pin joint $\varnothing$ 80 asm.	$\varnothing$ 80 x 090
9.1	1	0680521	Pin	$\varnothing$ 80 x 090
9.2	2	0683021	Washer $\varnothing$ 80	
9.3	1	0104634	Hex hd. cap screw	ISO 4014 M24 x 110
9.4	1	0106033	Hex nut	ISO 4032 M24
10	2	0130388	Elbow nipple	WJG 1412
11	1	-	Label kit 420R	

Hydraulic Cylinder  $\varnothing 100/50$



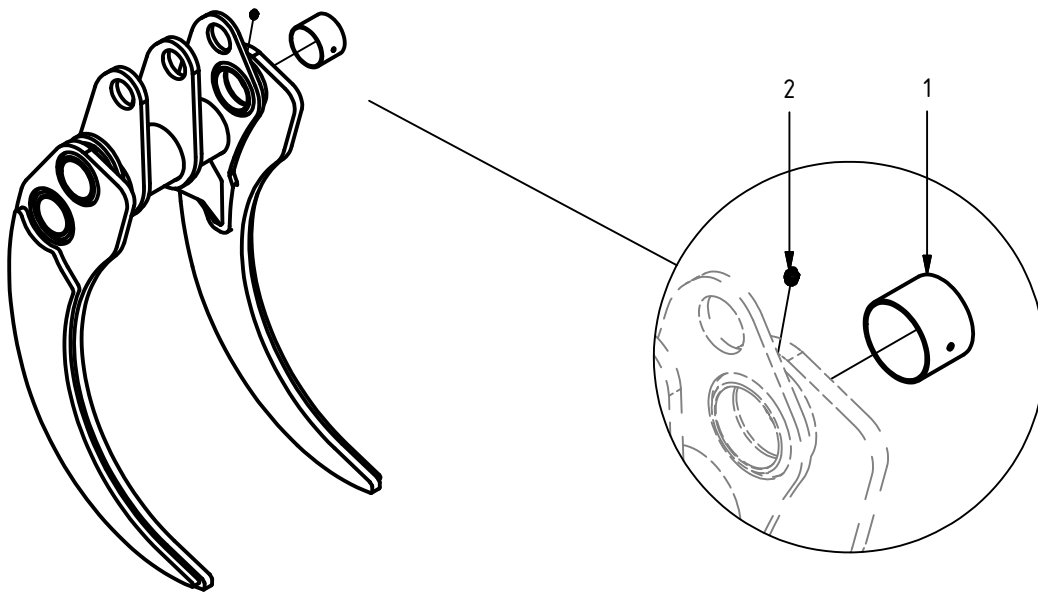
Item	Qty.	Part Number	Description	Notes
1	1	0718791	Barrel asm. $\varnothing$ 100	incl. item #1.2-1.3
1.2	1	0124120	Plain bearing	$\varnothing$ 60/65x60
1.3	1	0114023	Grease Fitting	M10 x 1
2	1	0718801	Piston rod asm.	incl. item #2.1-2.2
2.1	1	0124120	Plain bearing	$\varnothing$ 60/65x60
2.2	1	0114023	Grease Fitting	M10 x 1
3	1	0718805	Piston $\varnothing$ 100	
4	1	0718795	Gland $\varnothing$ 100/50	
5	1	0121107	Seal kit $\varnothing$ 100/50	item #5.2-5.8
5.1	1	-	Piston rod seal	$\varnothing$ 50/60 x 7,3
5.2	2	-	Guide ring	$\varnothing$ 50/55 x 9,7
5.3	1	-	Piston rod seal	$\varnothing$ 50/65,1 x 6,3
5.4	1	-	Piston Seal	$\varnothing$ 79/100 x 7,8
5.5	2	-	Guide ring	$\varnothing$ 95/100x9,6
5.6	1	-	Wiper	$\varnothing$ 50/60x7x10
5.7	1	-	O-ring	$\varnothing$ 89,69 x 5,34
5.8	1	-	Backup ring	$\varnothing$ 91,4/100,0 x 1,9

Male grapple arm asm.



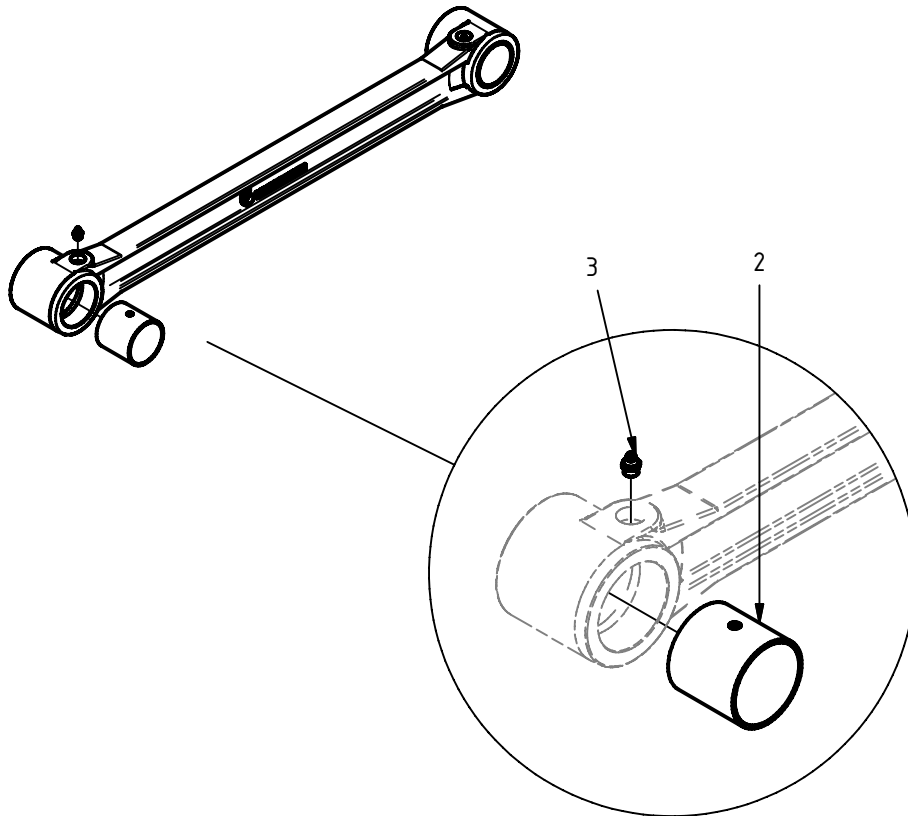
Item	Qty.	Part Number	Description	Notes
2	2	0124129	Plain bearing	∅80/85x60
3	2	0114023	Grease Fitting	M10 x 1

Female grapple arm asm.



Item	Qty.	Part Number	Description	Notes
1	2	0124129	Plain bearing	∅80/85x60
2	2	0114023	Grease Fitting	M10 x 1

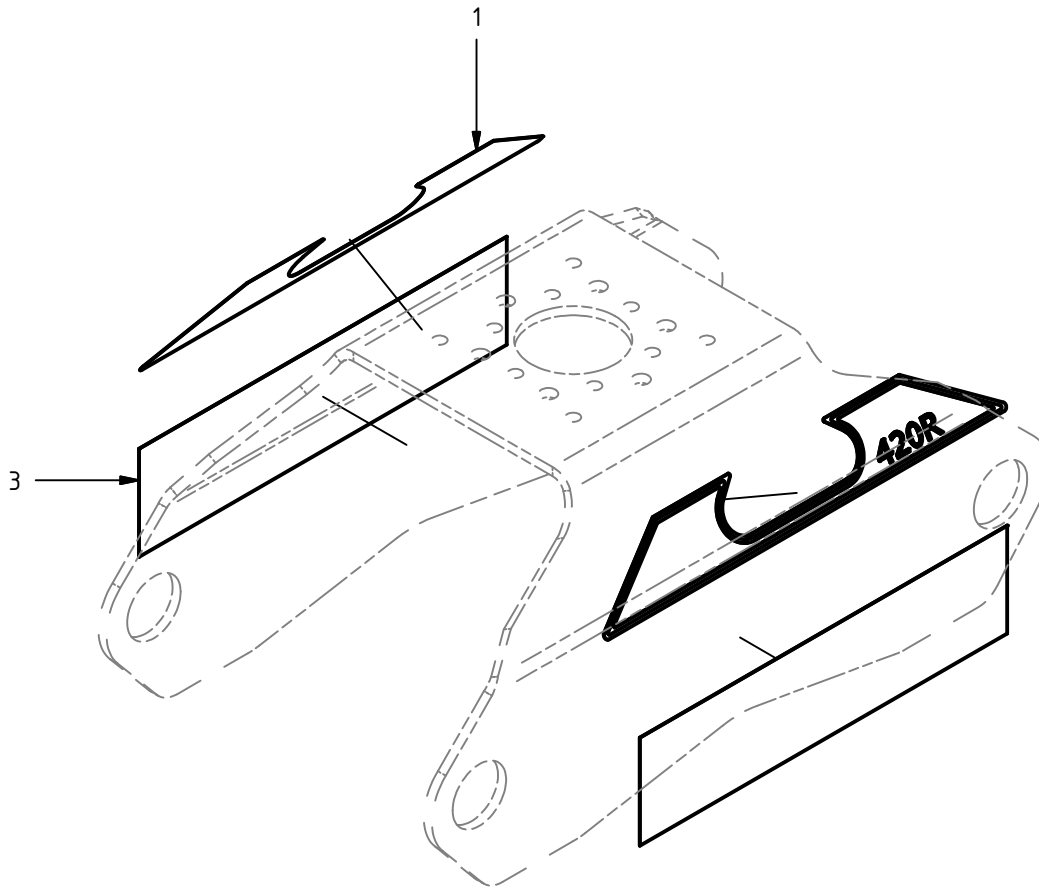
Push rod asm.



Item	Qty.	Part Number	Description	Notes
2	2	0124120	Plain bearing	∅60/65x60
3	2	0114023	Grease Fitting	M10 x 1



Label kit 420R



Item	Qty.	Part Number	Description	Notes
1	2	014.6111	Label 420R	
3	2	014.6116	Label	

# **HULTDINS** *SuperGrip II*™

---



Hultdin System AB  
Skolgatan 12, SE-930 70 MALÅ, Sweden  
tel. +46 953 418 00, fax +46 953 418 01  
E-mail: [sales@hultdins.se](mailto:sales@hultdins.se)

---

English

Hultdins Inc.  
22 Morton Avenue East  
Brantford, Ontario, Canada N3R 7J7  
tel (519) 754-0044, fax (519) 754-1569  
E-mail: [info@hultdins.com](mailto:info@hultdins.com)