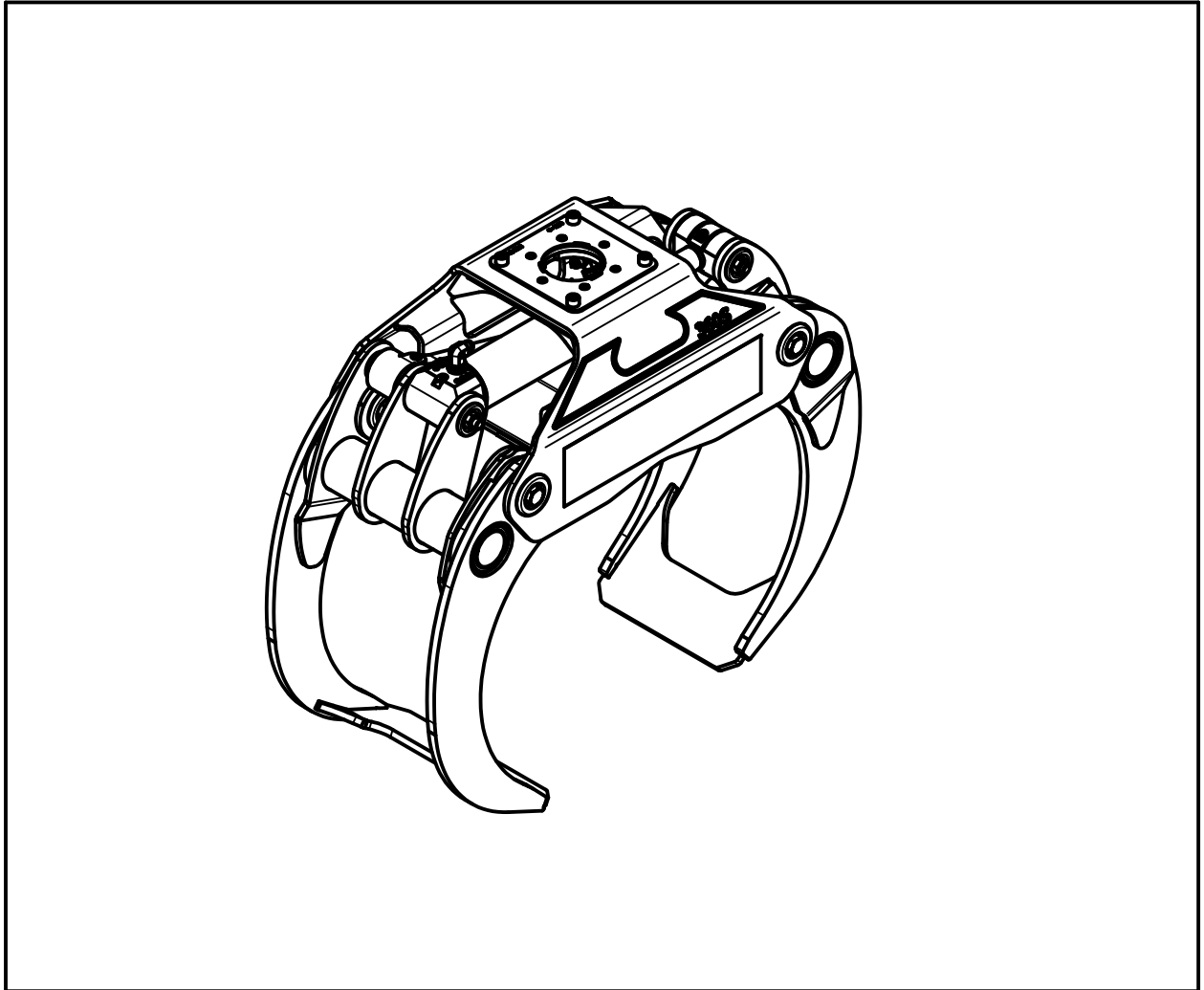


HULTDINS *SuperGrip II*™



2010-09-28

Rev. 09

Doc.Nr. 7718590-EN

Utg. 01-12

English

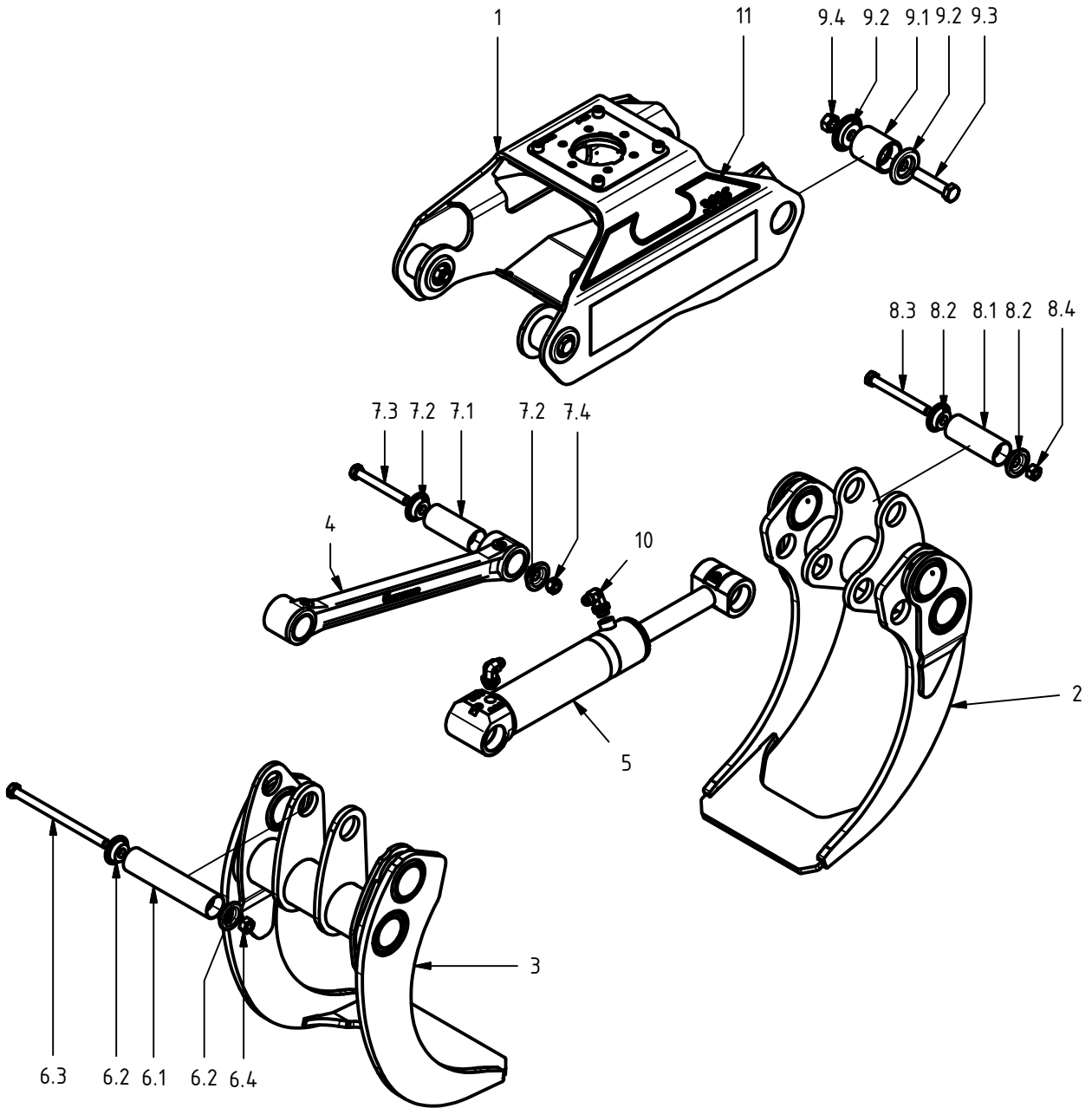
SuperGrip II 360S

Spare Parts manual

0718590

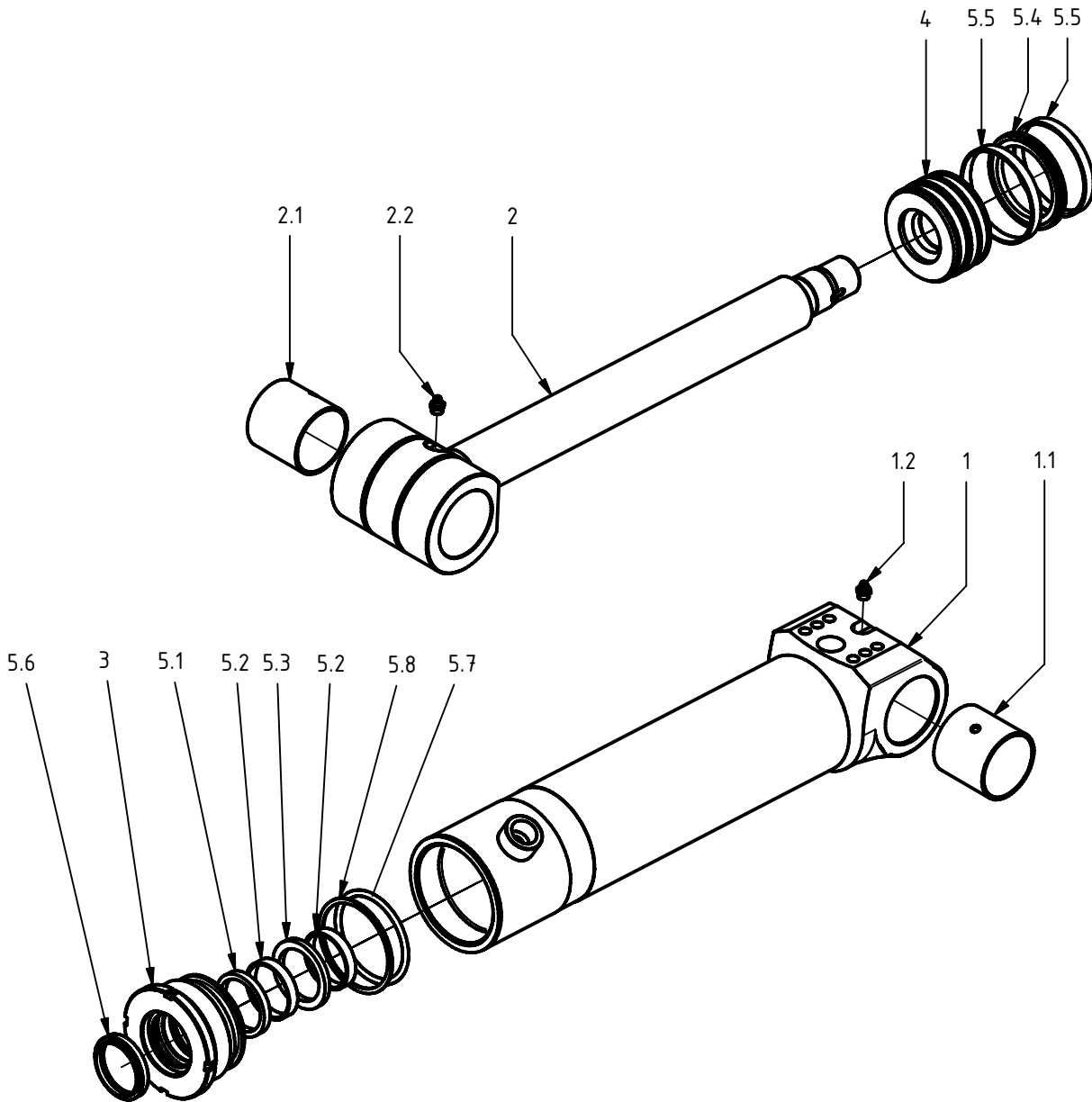
S/N 050-0761 and up

SuperGrip II 360S



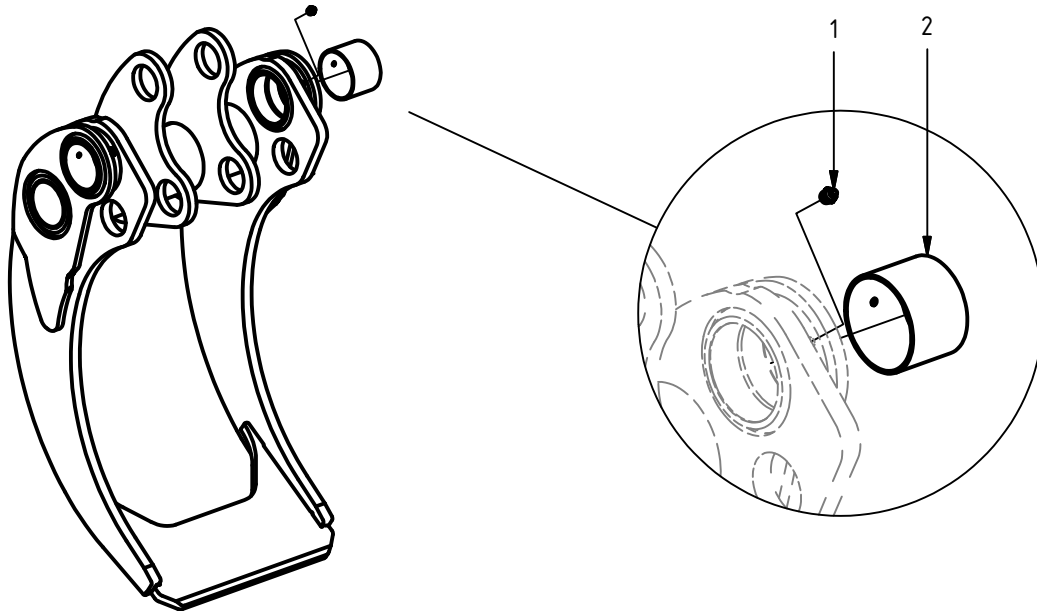
Item	Qty.	Part Number	Description	Notes
1	1	0718080	Frame	
2	1	0718620	Male grapple arm asm.	
3	1	0718621	Female grapple arm asm.	
4	1	0718645	Push rod asm.	
5	1	0150052	Hydraulic cylinder	ø90/50
6	1	0718841	Pin joint ø60 asm.	ø60 x 276
6.1	1	0718809	Pin	ø60 x 276
6.2	2	0683054	Washer ø60	
6.3	1	0104914	Hex hd. cap screw	ISO 4014 - M20x300
6.4	1	0106032	Hex nut	ISO 4032 M20
7	1	0683441	Pin joint ø60 asm.	ø60 x 147
7.1	1	0683059	Pin	ø60 x 147
7.2	2	0683054	Washer ø60	
7.3	1	0104087	Hex hd. cap screw	ISO 4014 M20x160
7.4	1	0106032	Hex nut	ISO 4032 M20
8	1	0718843	Pin joint ø60 asm.	ø60 x 160
8.1	1	0718811	Pin	ø60 x 160
8.2	2	0683054	Washer ø60	
8.3	1	0104913	Hex hd. cap screw	ISO 4014 M20x180
8.4	1	0106032	Hex nut	ISO 4032 M20
9	4	0680540	Pin joint ø80 asm.	ø80 x 090
9.1	1	0680521	Pin	ø80 x 090
9.2	2	0683021	Washer ø80	
9.3	1	0104634	Hex hd. cap screw	ISO 4014 M24 x 110
9.4	1	0106033	Hex nut	ISO 4032 M24
10	2	0130388	Elbow nipple	WJG 1412
11	1	-	Label kit 360S	

Hydraulic cylinder



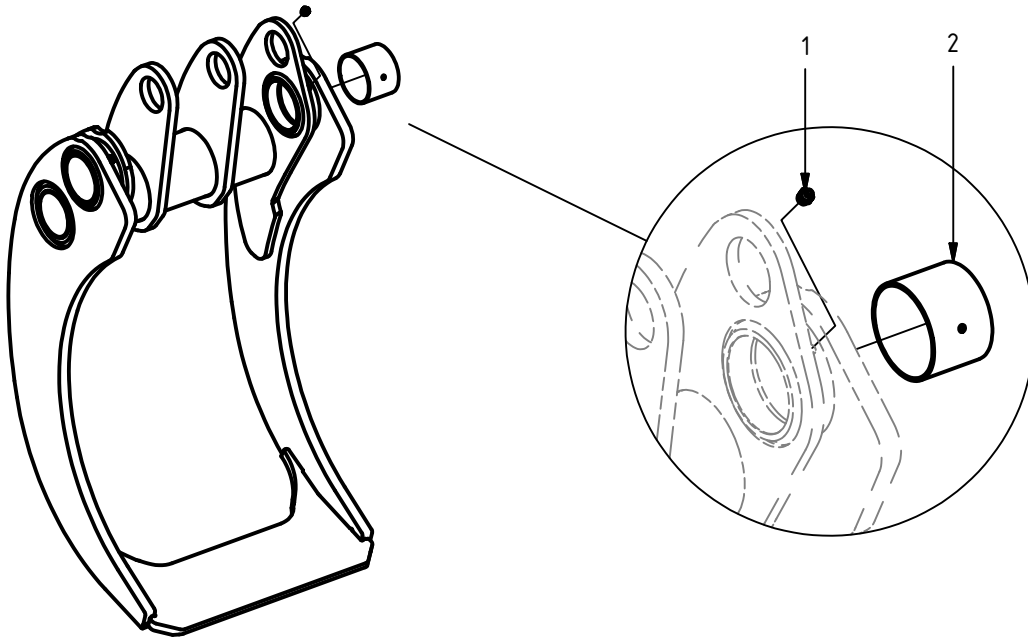
Item	Qty.	Part Number	Description	Notes
1	1	0718762	Barrel asm. $\varnothing 90$	
1.1	1	0124120	Plain bearing	$\varnothing 60/65 \times 60$
1.2	1	0114023	Grease Fitting	M10 x 1
2	1	0718796	Piston rod asm.	
2.1	1	0124120	Plain bearing	$\varnothing 60/65 \times 60$
2.2	1	0114023	Grease Fitting	M10 x 1
3	1	0718754	Gland $\varnothing 90/50$	
4	1	0718800	Piston $\varnothing 90$	
5	1	0121106	Seal kit 90/50	
5.1	1	-	Piston rod seal	$\varnothing 50/60 \times 7,3$
5.2	2	-	Guide ring	$\varnothing 50/55 \times 9,7$
5.3	1	-	Piston rod seal	$\varnothing 50/65,1 \times 6,3$
5.4	1	-	Piston seal	$\varnothing 69/90 \times 7,8$
5.5	2	-	Guide ring	$\varnothing 85/90 \times 9,6$
5.6	1	-	Wiper	$\varnothing 50/60 \times 7 \times 10$
5.7	1	-	O-ring	$\varnothing 78,74 \times 5,33$
5.8	1	-	Backup ring	$\varnothing 81,4/90,0 \times 1,7$

Male grapple arm asm.



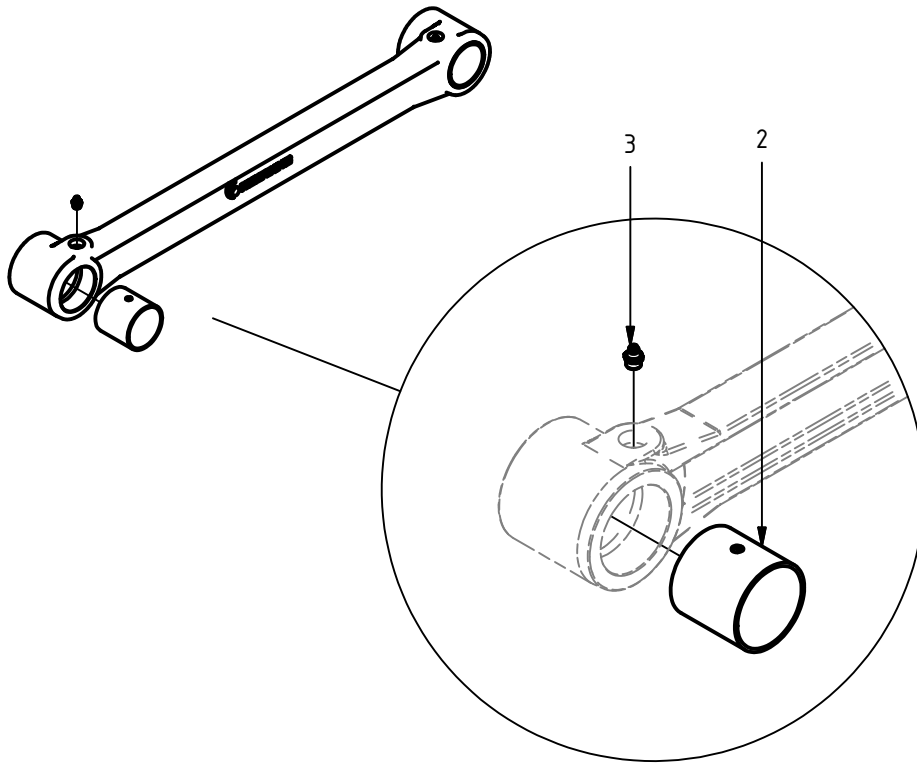
Item	Qty.	Part Number	Description	Notes
1	2	0114023	Grease Fitting	M10 x 1
2	2	0124129	Plain bearing	∅80/85x60

Female grapple arm asm.



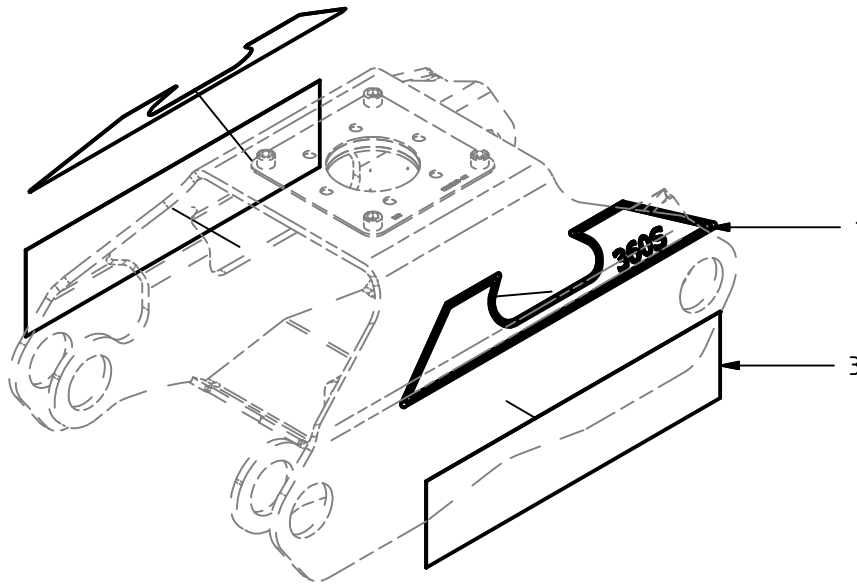
Item	Qty.	Part Number	Description	Notes
1	2	0114023	Grease Fitting	M10 x 1
2	2	0124129	Plain bearing	∅80/85x60

Push rod asm.



Item	Qty.	Part Number	Description	Notes
2	2	0124120	Plain bearing	∅60/65x60
3	2	0114023	Grease Fitting	M10 x 1

Label kit 360S



Item	Qty.	Part Number	Description	Notes
1	2	014.6107	Label 360S	
3	2	014.6116	Label	

HULTDINS *SuperGrip II*™



Hultdin System AB
Skolgatan 12, SE-930 70 MALÅ, Sweden
tel. +46 953 418 00, fax +46 953 418 01
E-mail: sales@hultdins.se

English

Hultdins Inc.
22 Morton Avenue East
Brantford, Ontario, Canada N3R 7J7
tel (519) 754-0044, fax (519) 754-1569
E-mail: info@hultdins.com