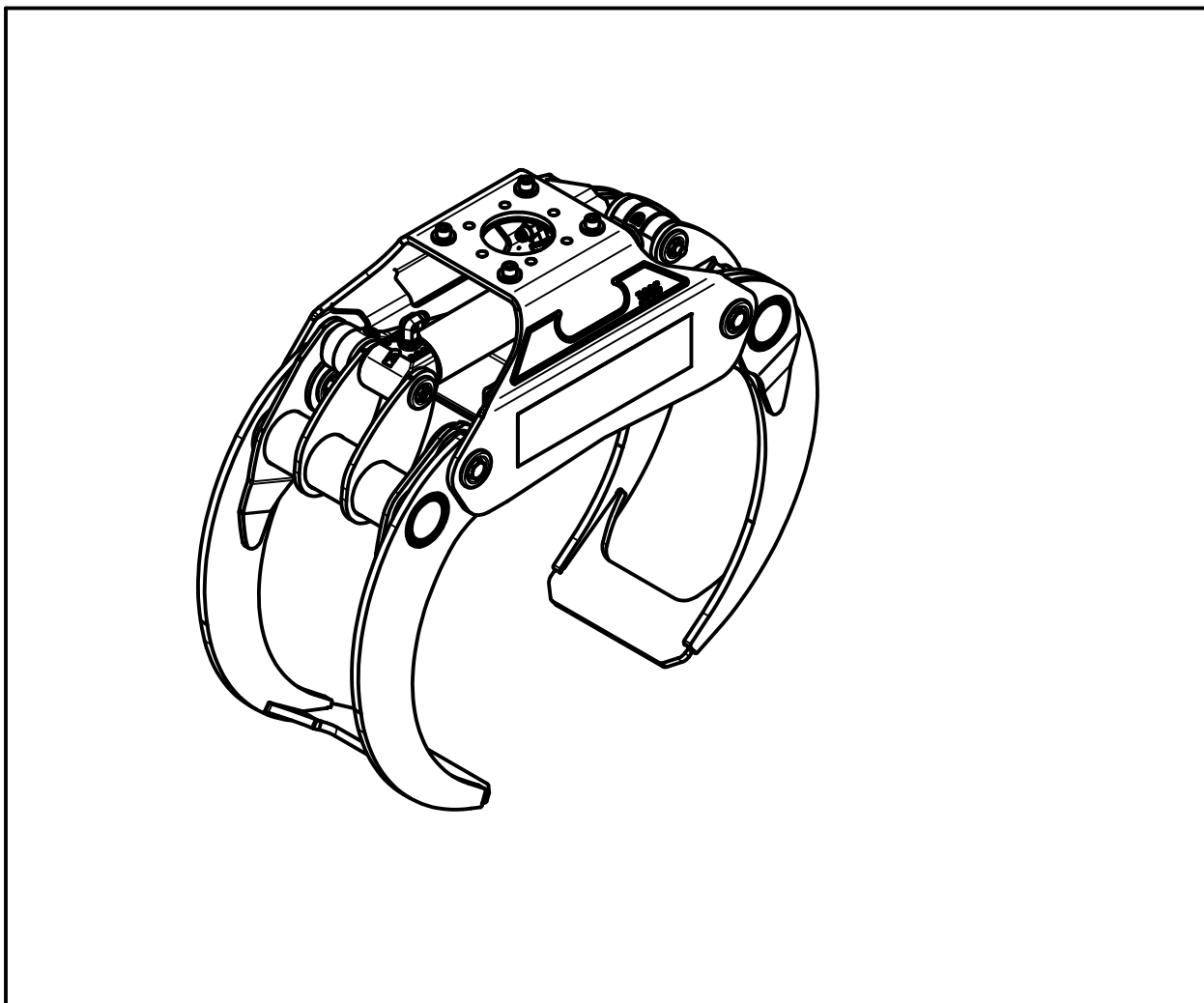


HULTDINS SuperGrip II™



2010-09-24

Rev. 08

Doc.Nr. 7711590-EN

Utg. 01-12

English

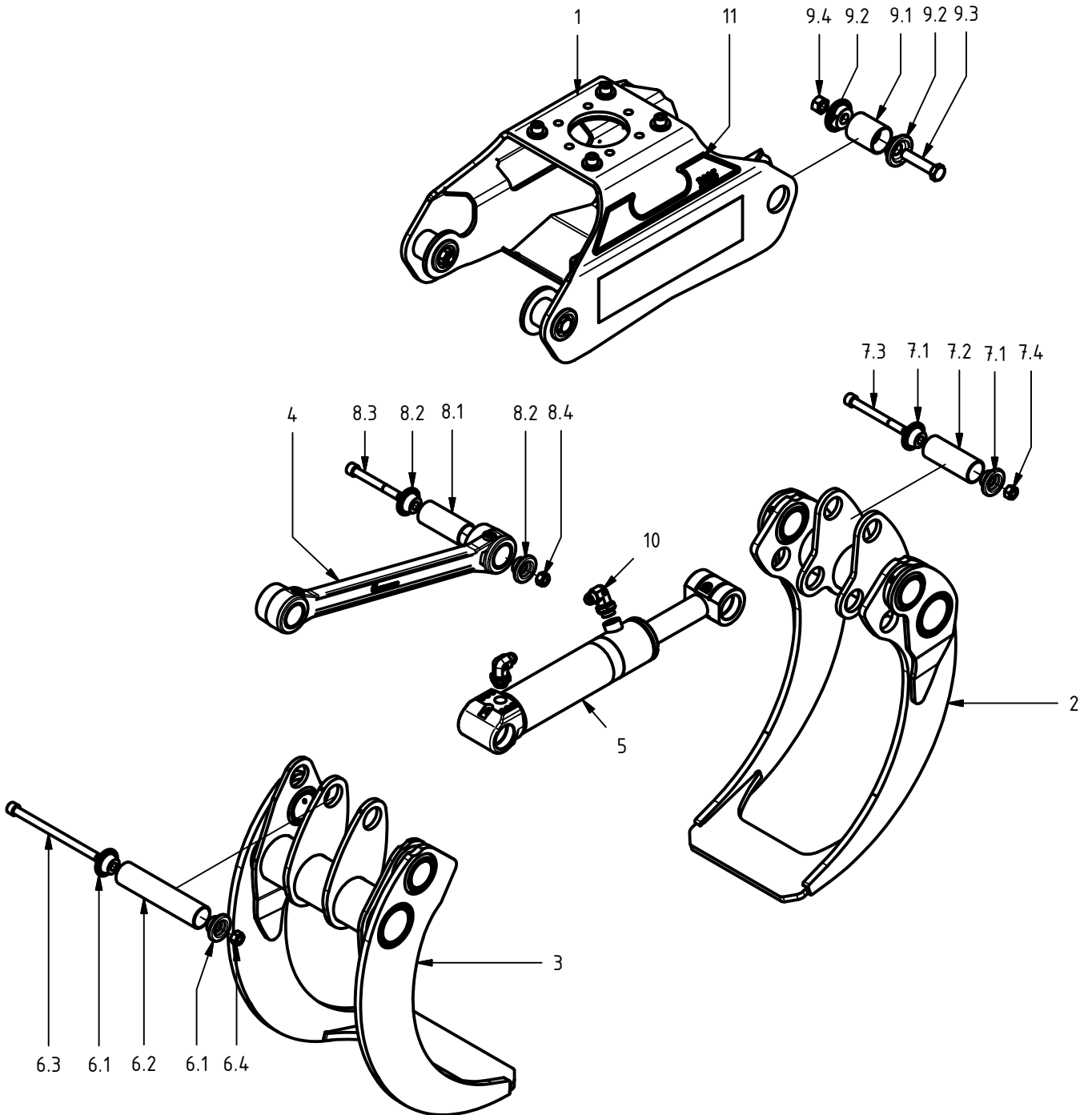
SuperGrip II 300S

Spare Parts manual

0711590

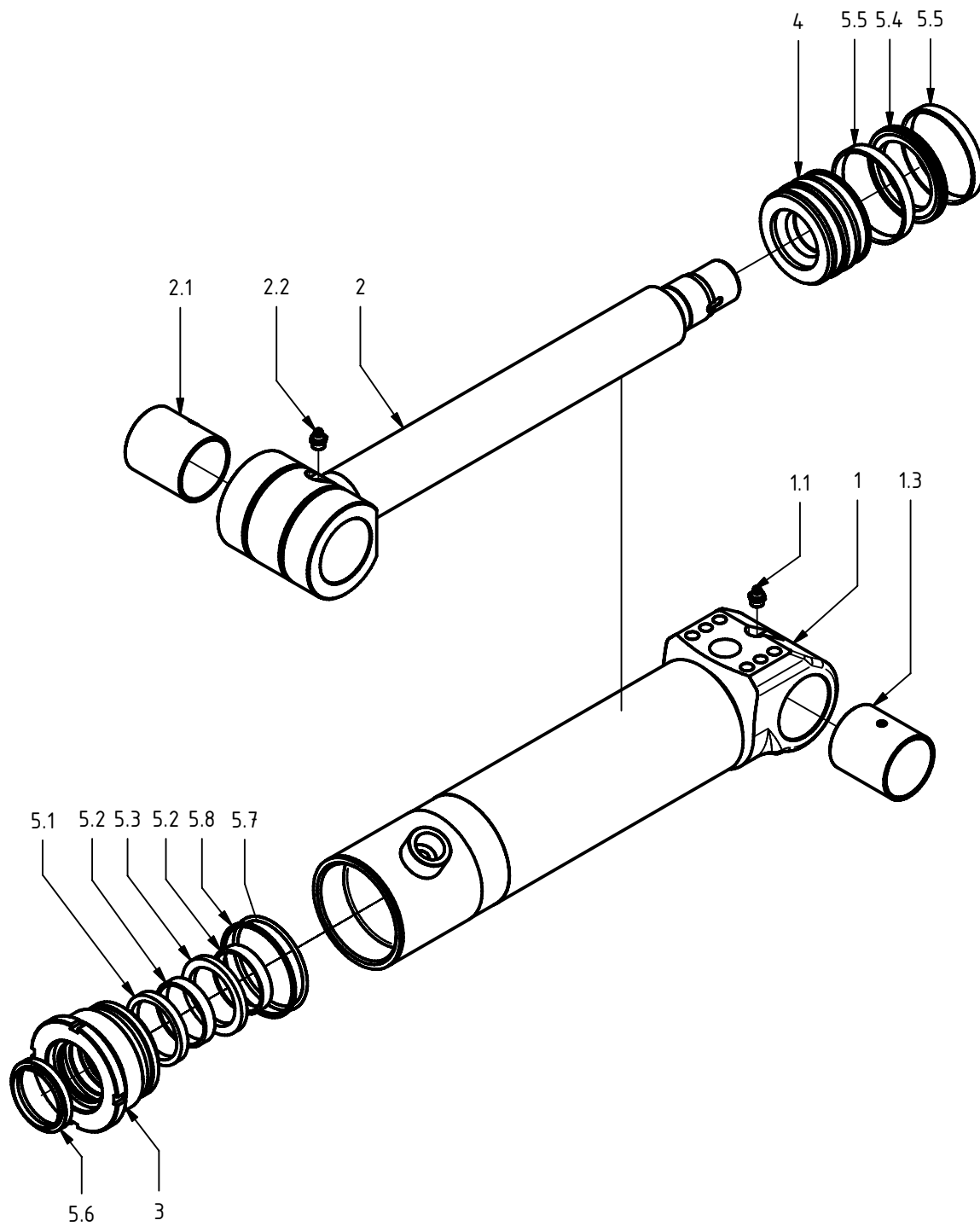
S/N 049-0562 and up

SuperGrip II 300S



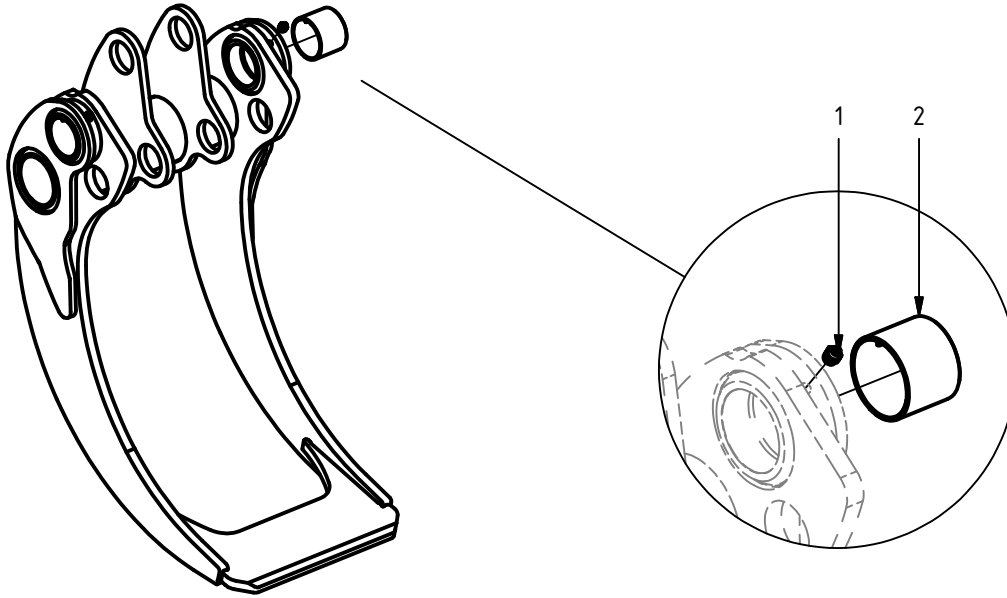
Item	Qty.	Part Number	Description	Notes
1	1	0711040	Frame	
2	1	0711620	Male grapple arm asm.	
3	1	0711621	Female grapple arm asm.	
4	1	0711640	Push rod asm.	
5	1	0150051	Hydraulic cylinder $\varnothing 80/50$	$\varnothing 80/50$
6	1	0711842	Pin joint $\varnothing 50$ asm.	$\varnothing 50 \times 227$
6.1	2	0680054	Washer $\varnothing 50$	
6.2	1	0711812	Pin	$\varnothing 50 \times 227$
6.3	1	0104101	Socket hd. Cap Screw	ISO 4762 - M16x240
6.4	1	0106030	Hex Nut	ISO 4032 M16
7	1	0711843	Pin joint $\varnothing 50$ asm.	$\varnothing 50 \times 130$
7.1	2	0680054	Washer $\varnothing 50$	
7.2	1	0711813	Pin	$\varnothing 50 \times 130$
7.3	1	0104395	Socket hd. Cap Screw	ISO 4762 - M16x150
7.4	1	0106030	Hex Nut	ISO 4032 M16
8	1	0660541	Pin joint $\varnothing 50$ asm.	
8.1	1	0660260	Pin	$\varnothing 50 \times 118$
8.2	2	0680054	Washer $\varnothing 50$	
8.3	1	0104888	Socket hd. Cap Screw	ISO 4762 - M16x130
8.4	1	0106030	Hex Nut	ISO 4032 M16
9	4	0711841	Pin joint asm. $\varnothing 60$	$\varnothing 60 \times 075$
9.1	1	0711811	Pin	$\varnothing 60 \times 75$
9.2	2	0683054	Washer $\varnothing 60$	
9.3	1	0104615	Hex hd. cap screw	ISO 4014 - M20x90
9.4	1	0106032	Hex nut	ISO 4032 M20
10	2	0130388	Elbow nipple	WJG 1412
11	1	-	Label kit 300S	

Hydraulic cylinder ø80/50



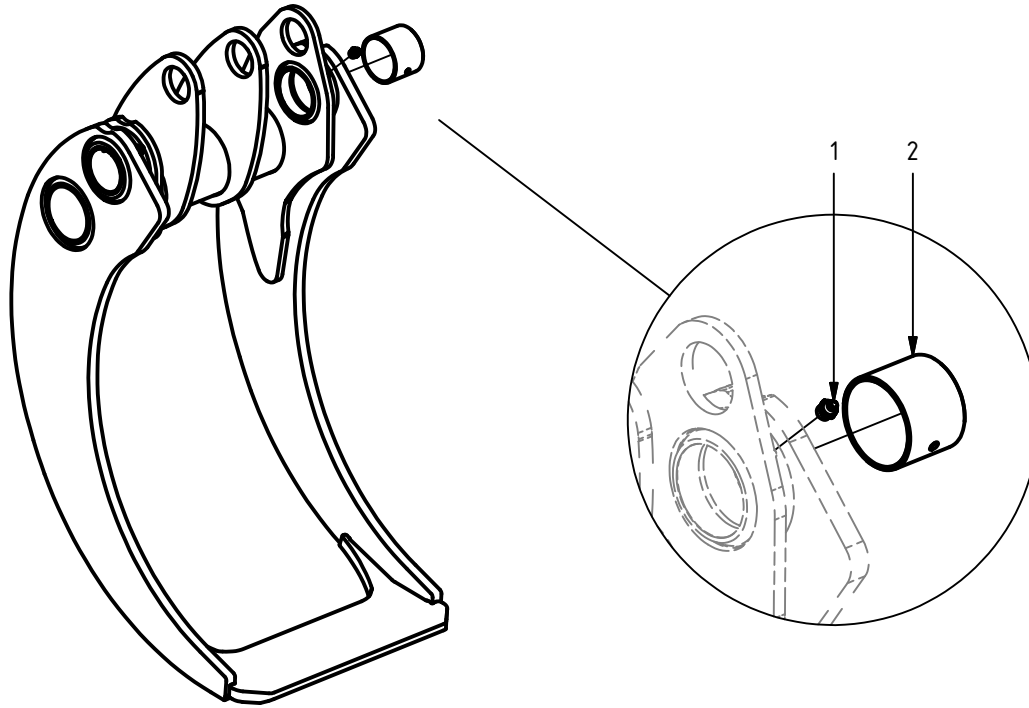
Item	Qty.	Part Number	Description	Notes
1	1	0711762	Barrel assy.	incl. item #1.1 & 1.3
1.1	1	0114023	Grease Fitting	M10 x 1
1.3	1	0124124	Plain bearing	∅50/55 x 60
2	1	0711768	Piston rod asm.	incl. item #2.1-2.2
2.1	1	0124124	Plain bearing	∅50/55 x 60
2.2	1	0114023	Grease Fitting	M10 x 1
3	1	0711754	Gland ∅80/50	
4	1	0711764	Piston ∅80	
5	1	0121105	Seal kit 80/50	
5.1	1	-	Piston rod seal	∅50/60 x 7,3
5.2	2	-	Guide ring	∅50/55 x 9,7
5.3	1	-	Piston rod seal	∅50/65,1 x 6,3
5.4	1	-	Piston seal	∅59 x 80 x 7,8
5.5	2	-	Guide ring	75 x 80 x 9,6
5.6	1	-	Wiper	∅50/60x7x10
5.7	1	-	O-ring	∅72,62 x 3,53
5.8	1	-	Backup ring	74,6/80,0 x 1,4

Male grapple arm asm.



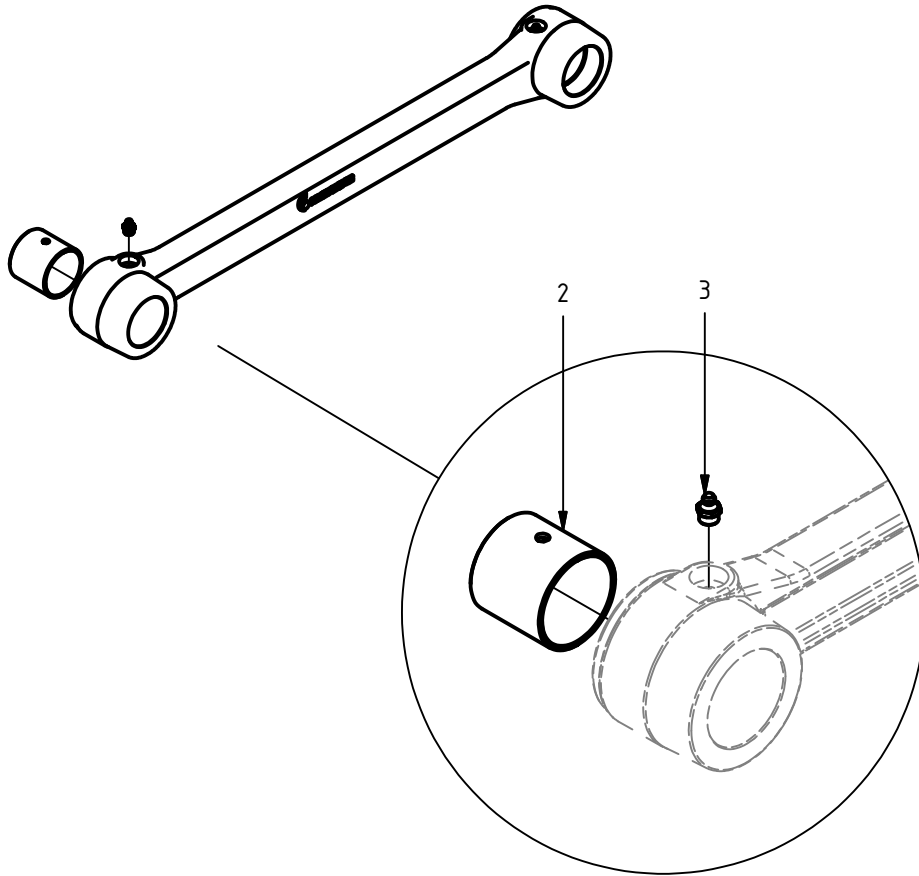
Item	Qty.	Part Number	Description	Notes
1	2	0114023	Grease Fitting	M10 x 1
2	2	0124117	Plain bearing	∅60/65x50

Female grapple arm asm.



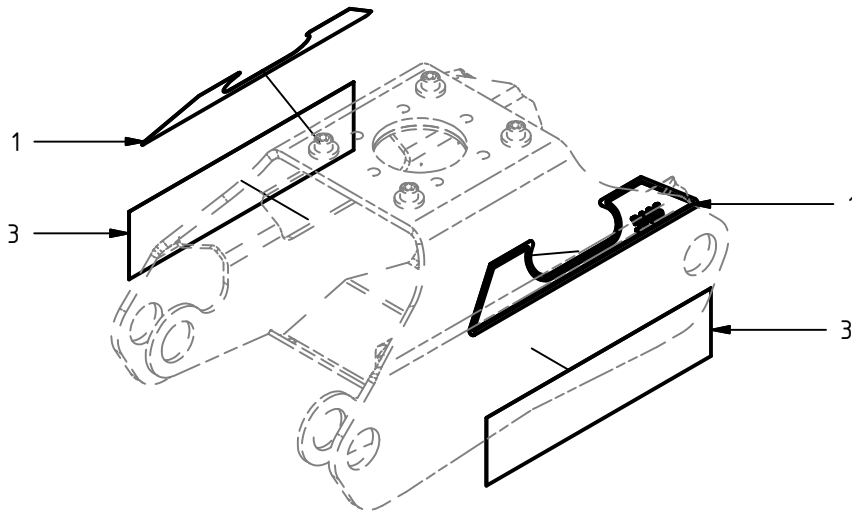
Item	Qty.	Part Number	Description	Notes
1	2	0114023	Grease Fitting	M10 x 1
2	2	0124117	Plain bearing	ø60/65x50

Push rod asm.



Item	Qty.	Part Number	Description	Notes
2	2	0124068	Plain bearing	ø50/55x50
3	2	0114023	Grease Fitting	M10 x 1

Label kit 300S



Item	Qty.	Part Number	Description	Notes
1	2	0146104	Label 300S	
3	2	0146117	Label	

HULTDINS *SuperGrip II*™



Hultdin System AB
Skolgatan 12, SE-930 70 MALÅ, Sweden
tel. +46 953 418 00, fax +46 953 418 01
E-mail: sales@hultdins.se

English

Hultdins Inc.
22 Morton Avenue East
Brantford, Ontario, Canada N3R 7J7
tel (519) 754-0044, fax (519) 754-1569
E-mail: info@hultdins.com