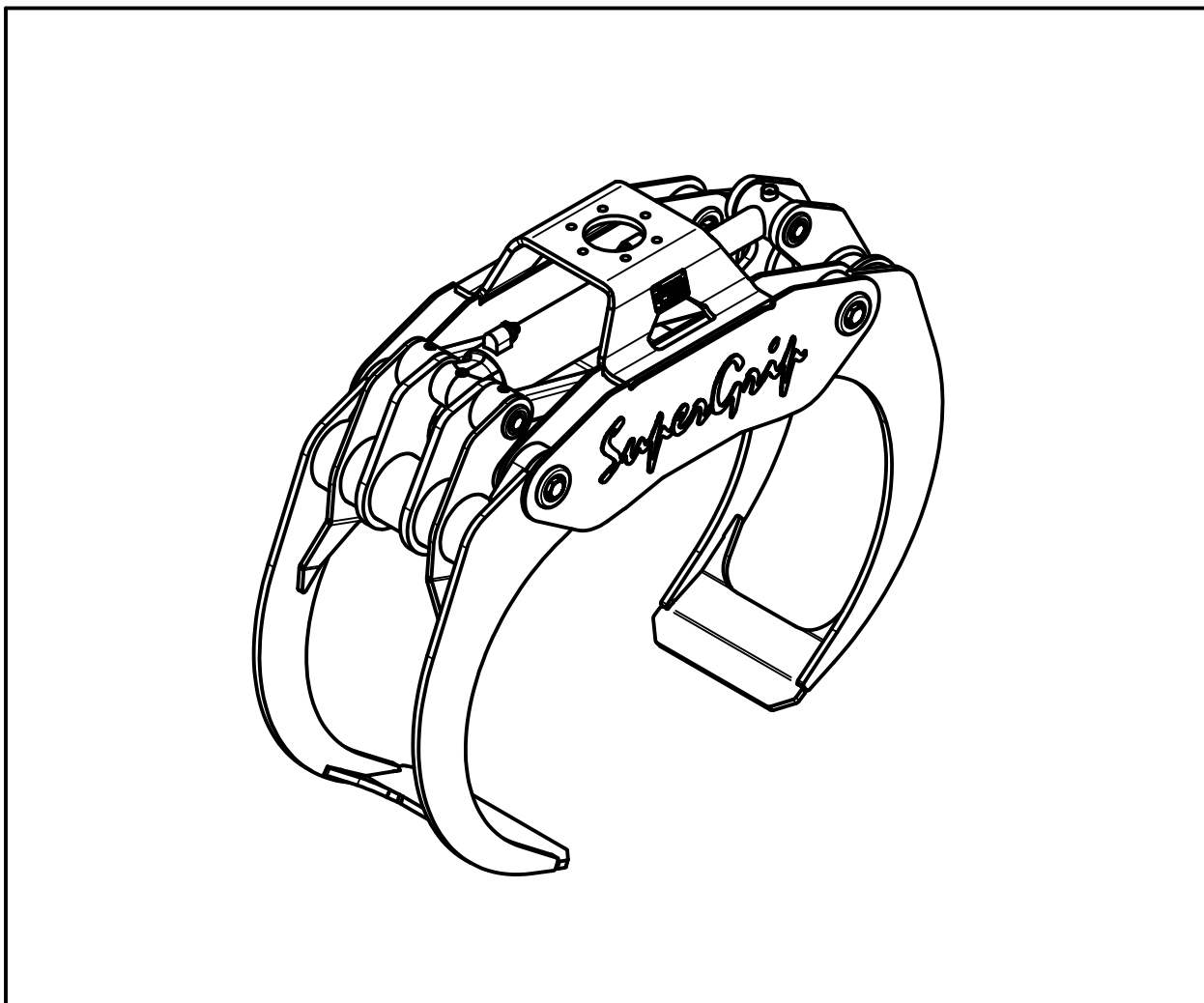


# HULTDINS<sup>TM</sup> SuperGrip

---



SuperGrip 520

2010-09-16

Rev. 08

Doc.Nr. 7683000-EN

Utg. 02-10

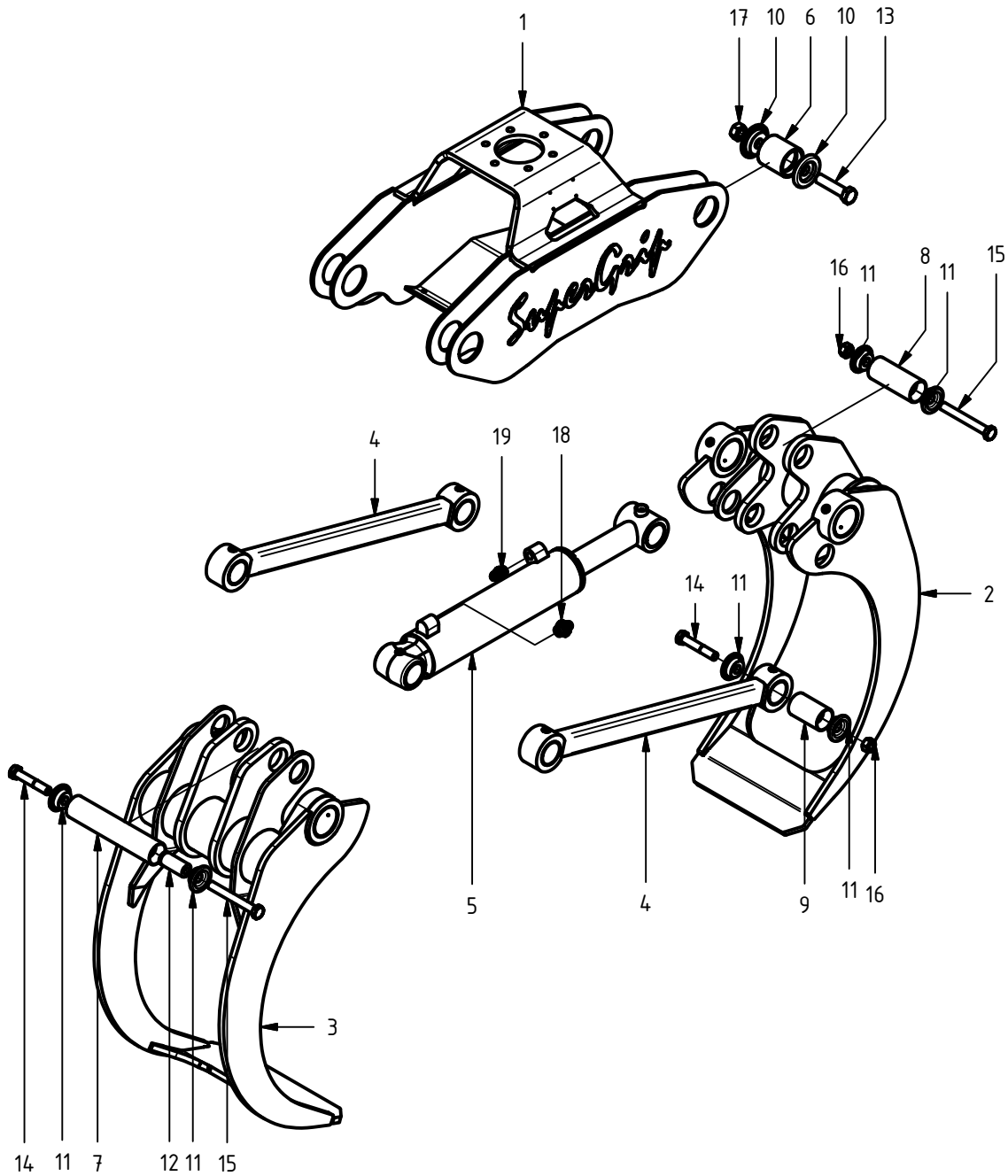
English

Spare Parts manual

0683000

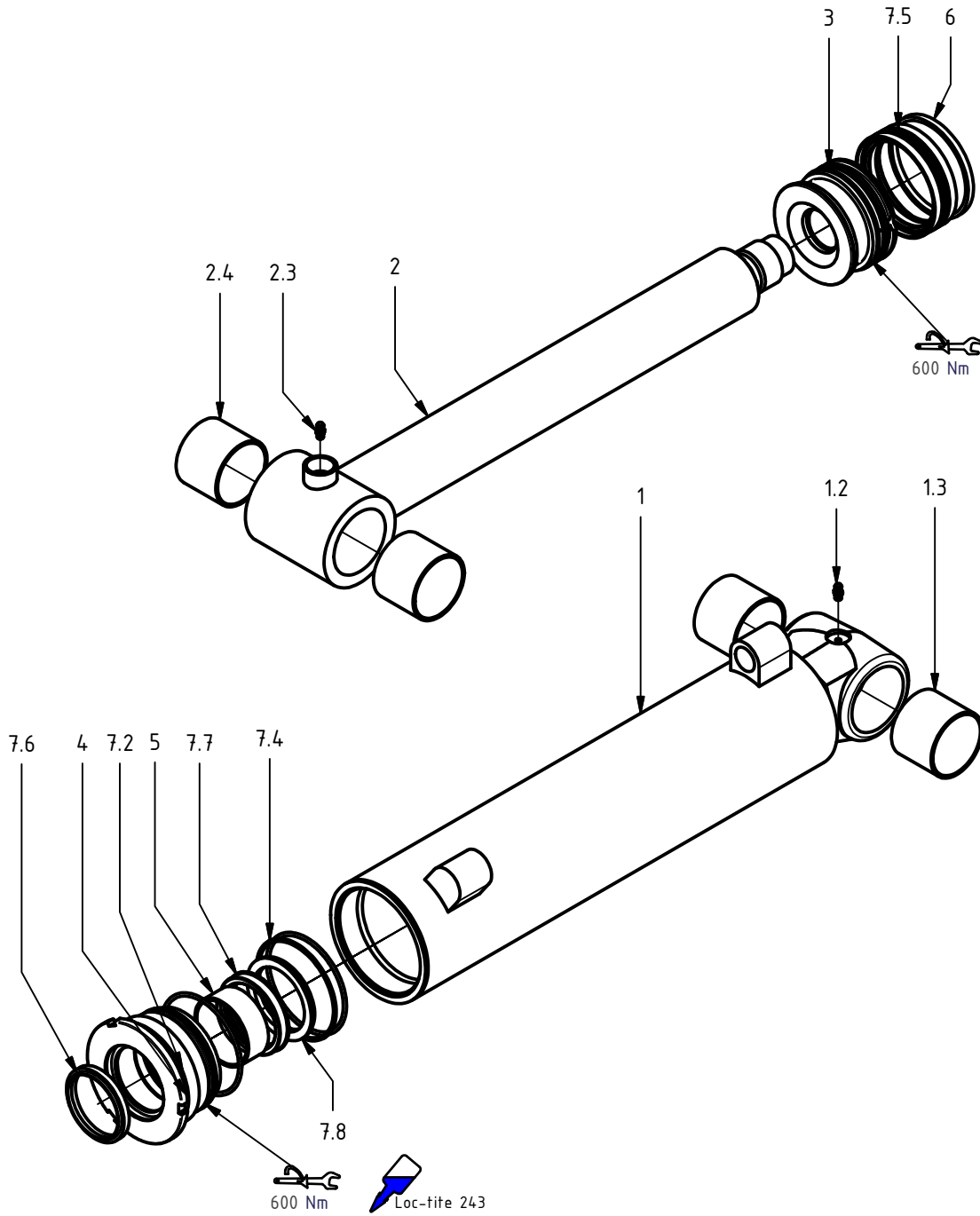
S/N 029-4077 and up

SuperGrip 520



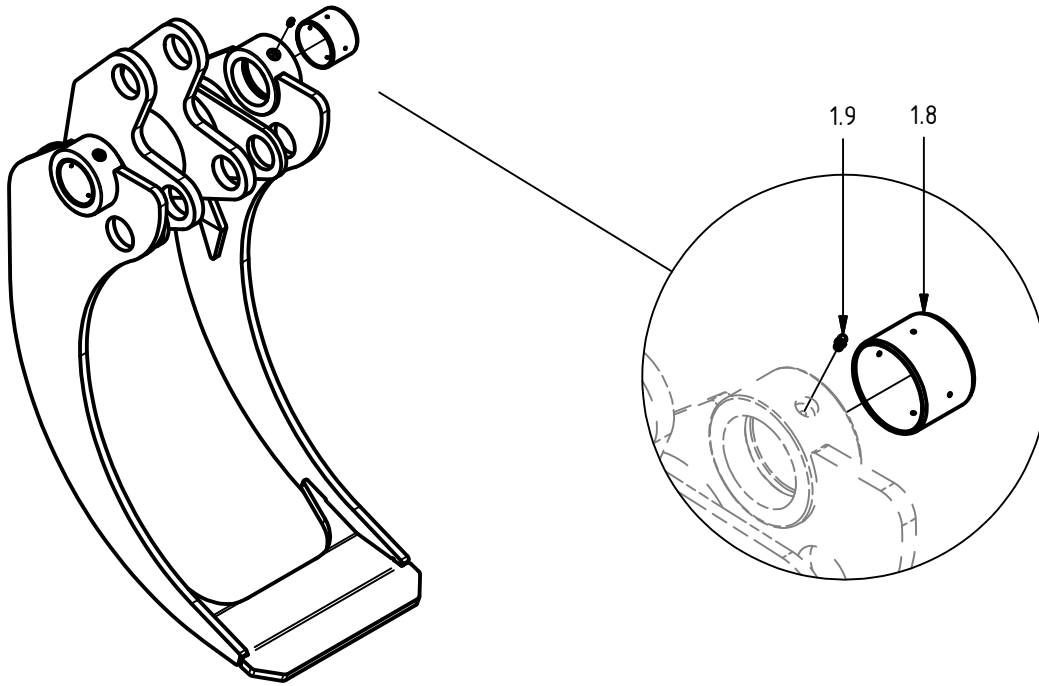
Item	Qty.	Part Number	Description	Notes
1	1	0683001	Frame	
2	1	0683007	Grapple arm, male	
3	1	0683260	Grapple arm, female	
4	2	0683030	Push rod asm.	
5	1	0150004	Hydraulic cylinder $\varnothing$ 100/63	
6	4	0683020	Pin	$\varnothing$ 80 x 082
7	1	0683077	Pin	$\varnothing$ 60 x 292
8	1	0683059	Pin	$\varnothing$ 60 x 147
9	2	0683056	Pin	$\varnothing$ 60 x 099
10	8	0683021	Washer	$\varnothing$ 80
11	8	0683054	Washer	
12	1	0683009	Nut	M20
13	4	0104632	Hex hd. cap screw	ISO 4014 M24x100
14	3	0104617	Hex hd. Cap Screw	ISO 4014 M20x110
15	2	0104087	Hex hd. cap screw	ISO 4014 M20x160
16	3	0106032	Hex nut	ISO 4032 M20
17	4	0106033	Hex nut	ISO 4032 M24
18	1	0130061	Adapter str.	SJG 1412
19	1	0130107	Adapter str.	SJG 1408

Hydraulic cylinder ø100/63



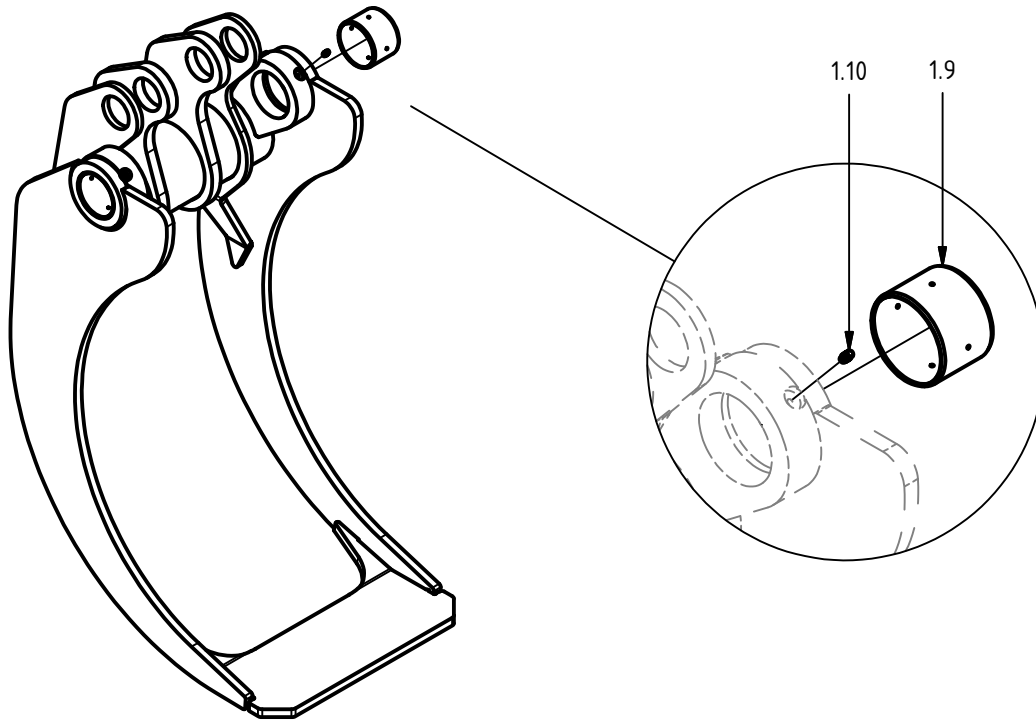
Item	Qty.	Part Number	Description	Notes
1	1	0150513	Barrel asm.	incl. item #1.3-1.3
1.2	1	0114004	Grease Fitting	M6x1
1.3	2	0683073	Plain bearing	60/65x50
2	1	0150514	Rod asm.	incl. item #2.2-2.3
2.3	1	0114004	Grease Fitting	M6x1
2.4	2	0683073	Plain bearing	60/65x50
3	1	0150509	Piston	ø100
4	1	0150511	Gland	100/63
5	1	0150526	Guide Ring	68/63 x 25-PF
6	1	0150529	Piston Ring	ø100
7	1	0121078	Seal kit 100/63	
7.2	2	-	O-ring	94,5 x 3,0
7.4	1	-	Backup Ring	100/95 x 1,3
7.5	1	-	Piston Seal	M/R-PF 100/85 x 20
7.6	1	-	Dust seal	PA 63/73 x 7 x 10
7.7	1	-	Rod seal	SI/L 63/78 x 12,5
7.8	1	-	Retainer ring	RI 63/78 x 2,65-A

Grapple arm, male



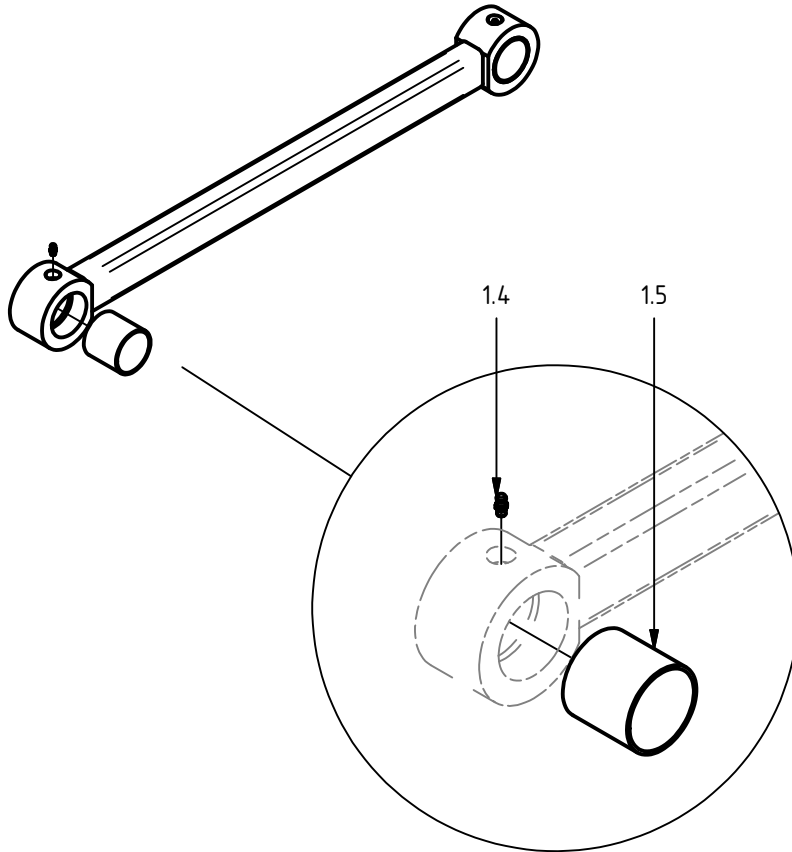
Item	Qty.	Part Number	Description	Notes
1.8	2	0683071	Plain Bearing	80/85x60
1.9	2	0114004	Grease Fitting	M6x1

Grapple arm, female



Item	Qty.	Part Number	Description	Notes
1.9	2	0683071	Plain Bearing	80/85x60
1.10	2	0114004	Grease Fitting	M6x1

Push rod asm.



Item	Qty.	Part Number	Description	Notes
1.4	2	0114004	Grease Fitting	M6x1
1.5	2	0683072	Plain bearing	60/65 x 60





# **HULTDINS** *SuperGrip*™

---



Hultdin System AB  
Skolgatan 12, SE-930 70 MALÅ, Sweden  
tel. +46 953 418 00, fax +46 953 418 01  
E-mail: [sales@hultdins.se](mailto:sales@hultdins.se)

---

English

Hultdins Inc.  
22 Morton Avenue East  
Brantford, Ontario, Canada N3R 7J7  
tel (519) 754-0044, fax (519) 754-1569  
E-mail: [info@hultdins.com](mailto:info@hultdins.com)