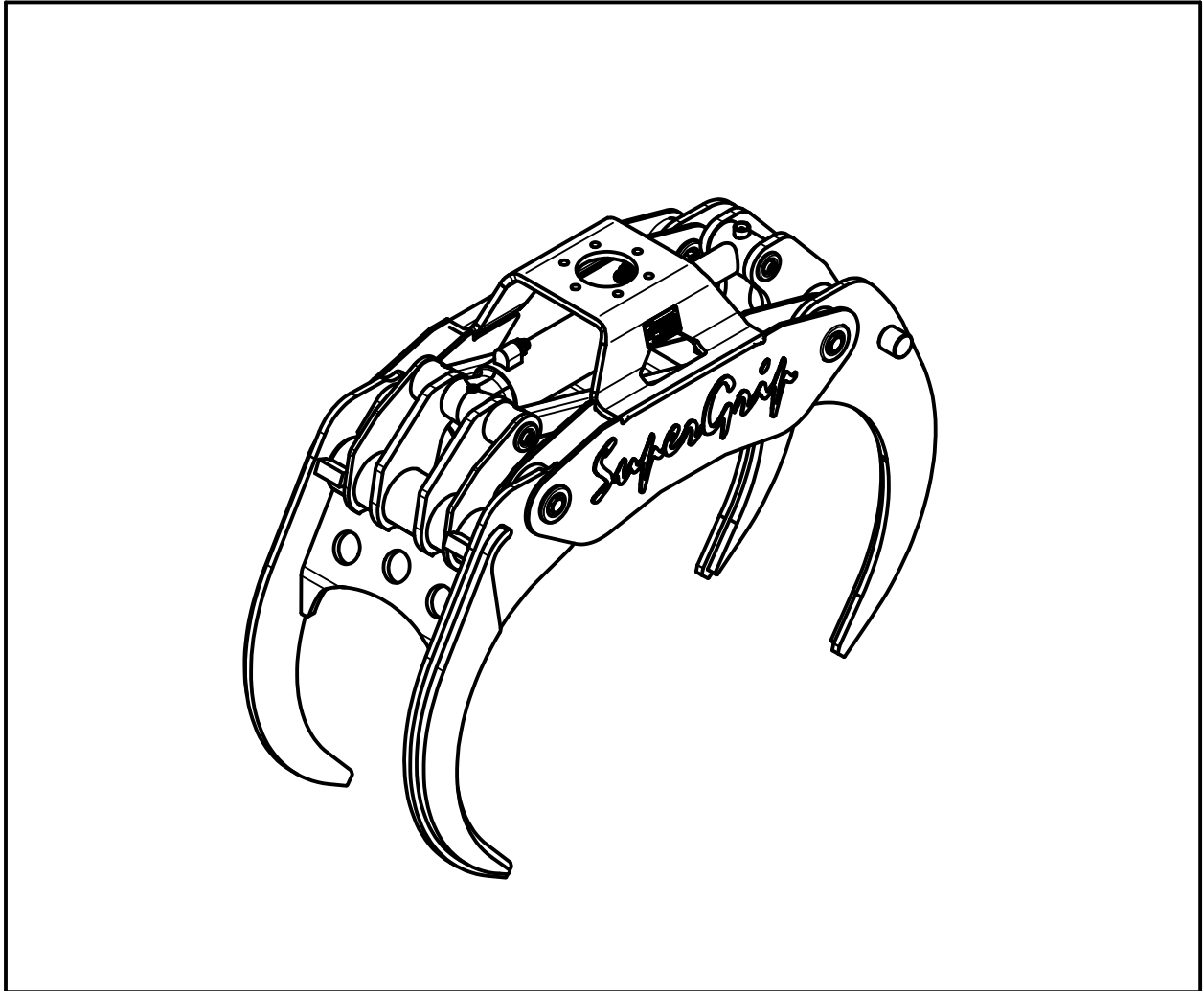


HULTDINSTM SuperGrip



SuperGrip 420R

2013-12-11

Rev. 07

Doc.Nr. 7682400-EN

Utg. 01-13

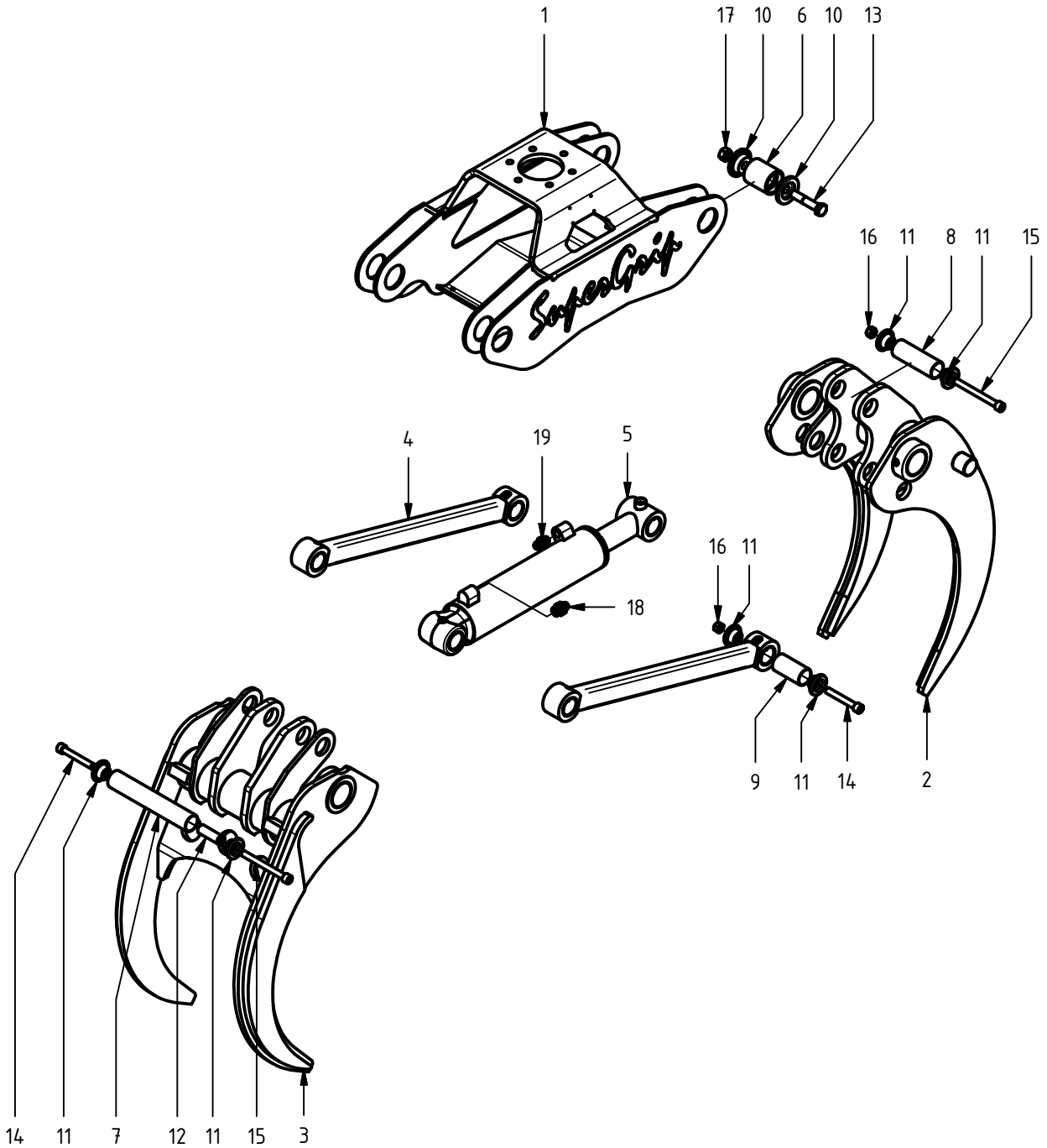
English

Spare Parts manual

0682400

S/N 028-4807 & up

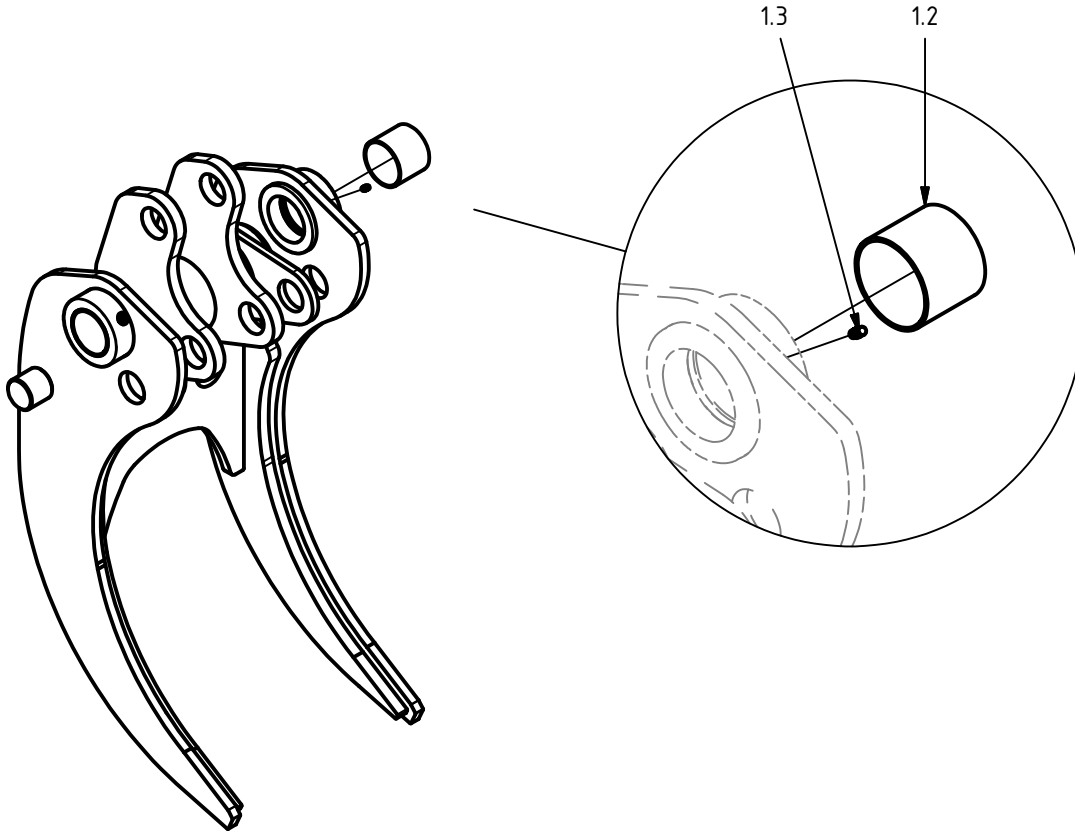
SuperGrip 420R



| Item | Qty. | Part Number | Description | Notes |
|------|------|-------------|---|------------------------|
| 1 | 1 | 0682001 | Frame | |
| 2 | 1 | 0682401 | Grapple arm,male | |
| 3 | 1 | 0682402 | Grapple arm, female | |
| 4 | 2 | 0682030 | Push rod asm. | |
| 5 | 1 | 0150003 | Hydraulic cylinder \varnothing 100/63 | |
| 6 | 4 | 0680009 | Pin | \varnothing 70 x 82 |
| 7 | 1 | 0680075 | Pin | \varnothing 50 x 294 |
| 8 | 1 | 0680077 | Pin | \varnothing 50 x 147 |
| 9 | 2 | 0680015 | Pin | \varnothing 50 x 99 |
| 10 | 8 | 0680021 | Washer \varnothing 70 | |
| 11 | 8 | 0680054 | Washer \varnothing 50 | |
| 12 | 1 | 0660263 | Nut | |
| 13 | 4 | 0104616 | Hex hd. Cap Screw | ISO 4014 - M20x100 |
| 14 | 3 | 0104502 | Socket hd. Cap Screw | ISO 4762 - M16x110 |
| 15 | 2 | 0104132 | Socket hd. cap screw | ISO 4762 - M16x160 |
| 16 | 3 | 0106030 | Hex Nut | ISO 4032 M16 |
| 17 | 4 | 0106032 | Hex nut | ISO 4032 M20 |
| 18 | 1 | 0130061 | Adapter str. | SJG 1412 |
| 19 | 1 | 0130107 | Adapter str. | SJG 1408 |

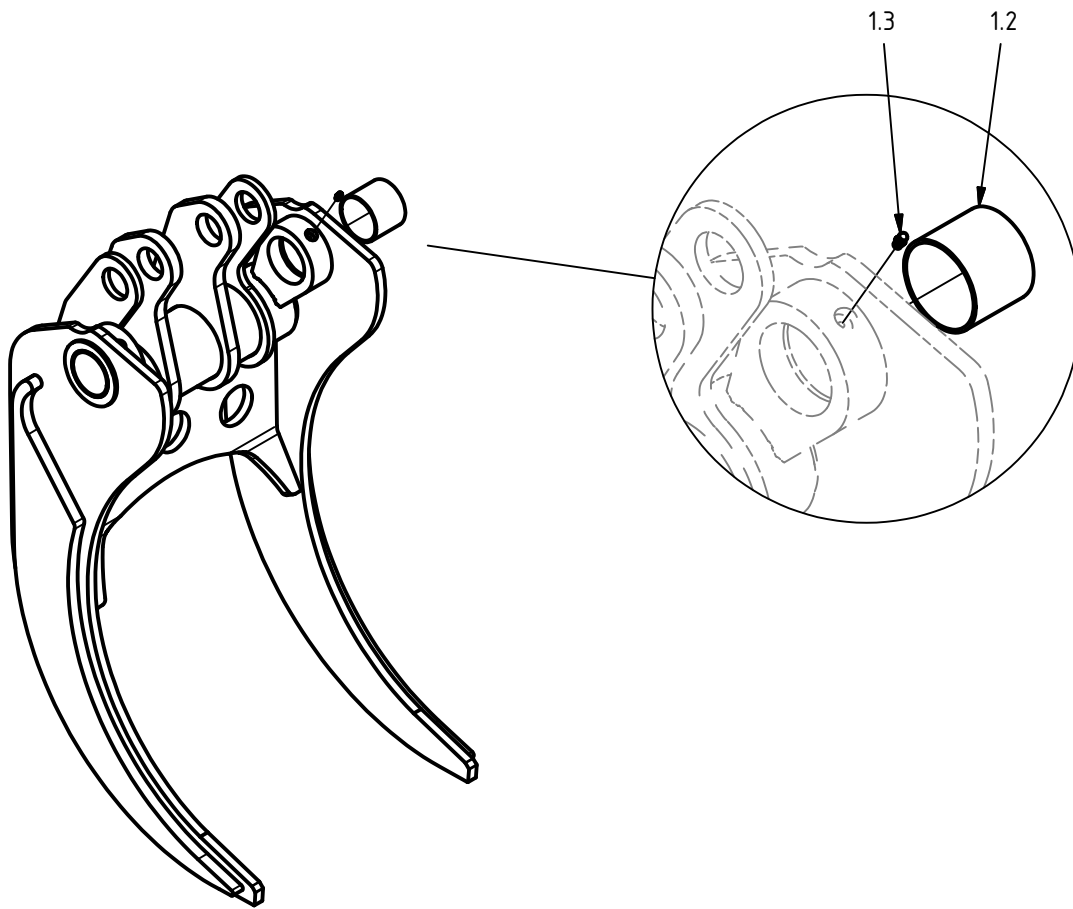
| Item | Qty. | Part Number | Description | Notes |
|------|------|-------------|-----------------|---------------------|
| 1 | 1 | 0150510 | Barrel asm. | incl. item #1.3-1.3 |
| 1.2 | 1 | 0114004 | Grease Fitting | M6x1 |
| 1.3 | 2 | 0680073 | Plain bearing | Ø50/55x50 |
| 2 | 1 | 0150512 | Rod asm. | incl. item #2.2-2.3 |
| 2.2 | 2 | 0680073 | Plain bearing | Ø50/55x50 |
| 2.3 | 1 | 0114004 | Grease Fitting | M6x1 |
| 3 | 1 | 0150509 | Piston | Ø100 |
| 4 | 1 | 0150511 | Gland | 100/63 |
| 5 | 1 | 0150526 | Guide Ring | 68/63 x 25-PF |
| 6 | 1 | 0150529 | Piston Ring | Ø100 |
| 7 | 1 | 0121078 | Seal kit 100/63 | |
| 7.2 | 2 | - | O-ring | 94,5 x 3,0 |
| 7.4 | 1 | - | Backup Ring | 100/95 x 1,3 |
| 7.5 | 1 | - | Piston Seal | M/R-PF 100/85 x 20 |
| 7.6 | 1 | - | Dust seal | PA 63/73 x 7 x 10 |
| 7.7 | 1 | - | Rod seal | SI/L 63/78 x 12,5 |
| 7.8 | 1 | - | Retainer ring | RI 63/78 x 2,65-A |

Grapple arm,male



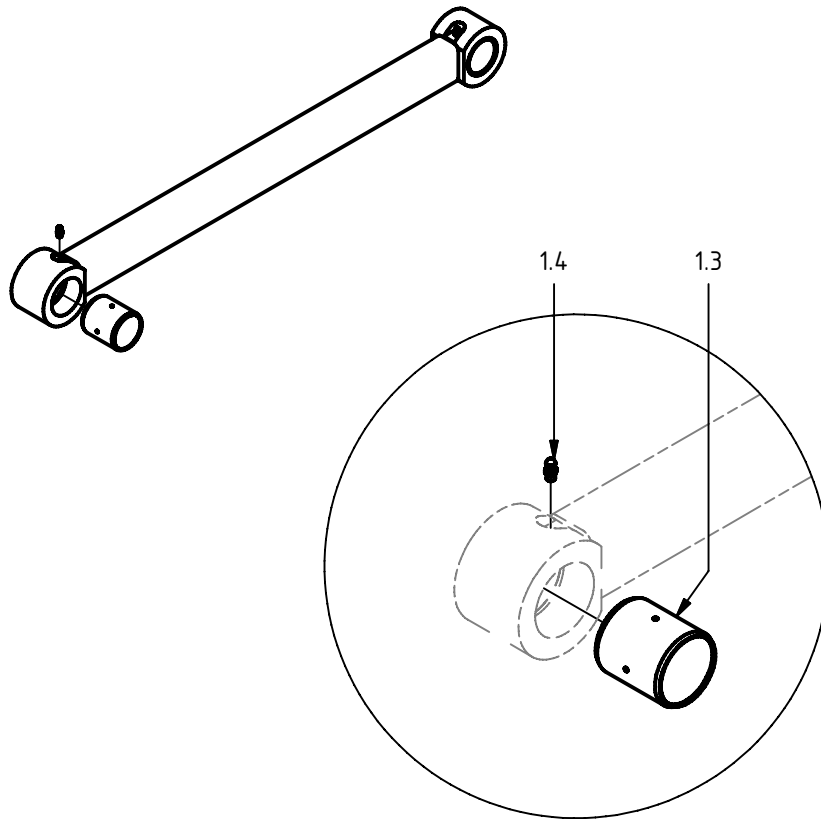
| Item | Qty. | Part Number | Description | Notes |
|------|------|-------------|----------------|----------|
| 1.2 | 2 | 0680071 | Plain Bearing | 70/75x60 |
| 1.3 | 2 | 0114004 | Grease Fitting | M6x1 |

Grapple arm, female



| Item | Qty. | Part Number | Description | Notes |
|------|------|-------------|----------------|----------|
| 1.2 | 2 | 0680071 | Plain Bearing | 70/75x60 |
| 1.3 | 2 | 0114004 | Grease Fitting | M6x1 |

Push rod asm.



| Item | Qty. | Part Number | Description | Notes |
|------|------|-------------|----------------|------------------|
| 1.3 | 2 | 0680072 | Plain bearing | ∅050/055x060 PDE |
| 1.4 | 2 | 0114004 | Grease Fitting | M6x1 |

HULTDINS *SuperGrip*™



Hultdin System AB
Skolgatan 12, SE-930 70 MALÅ, Sweden
tel. +46 953 418 00, fax +46 953 418 01
E-mail: sales@hultdins.se

English

Hultdins Inc.
22 Morton Avenue East
Brantford, Ontario, Canada N3R 7J7
tel (519) 754-0044, fax (519) 754-1569
E-mail: info@hultdins.com