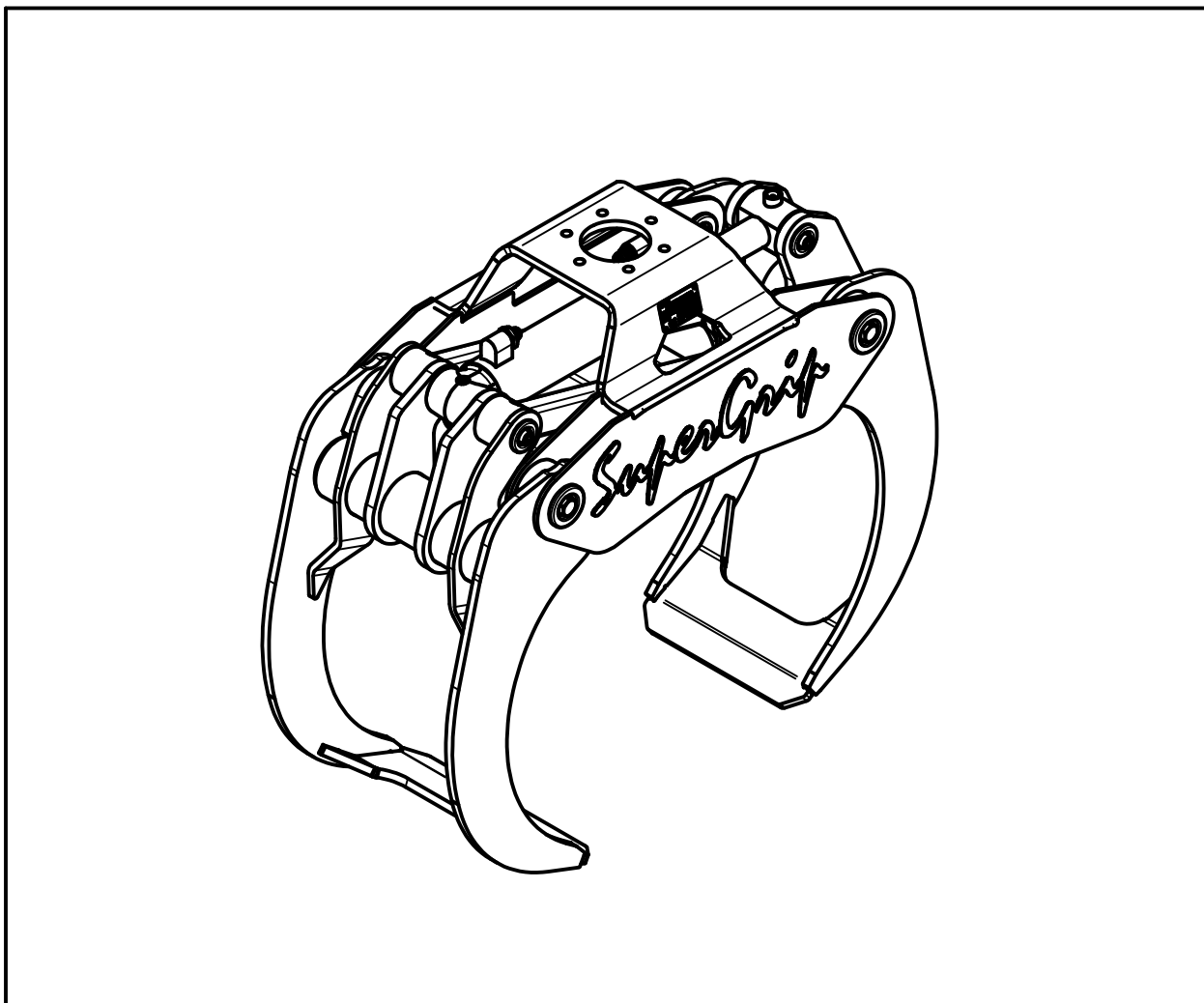


HULTDINSTM SuperGrip



SuperGrip 360

2009-12-16

Rev. 11

Doc.Nr. 7680000-EN

Utg. 01-10

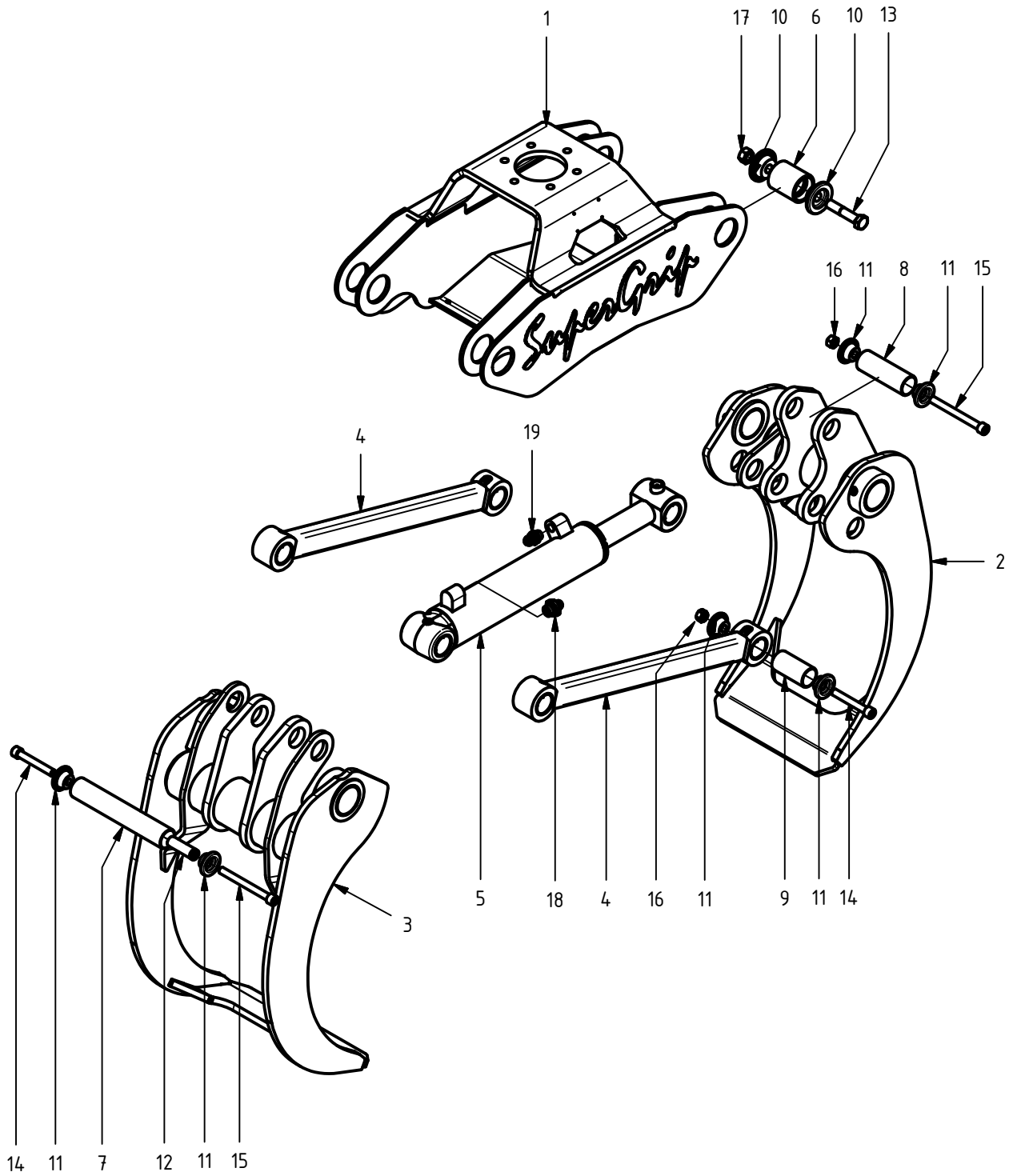
English

Spare Parts manual

0680000

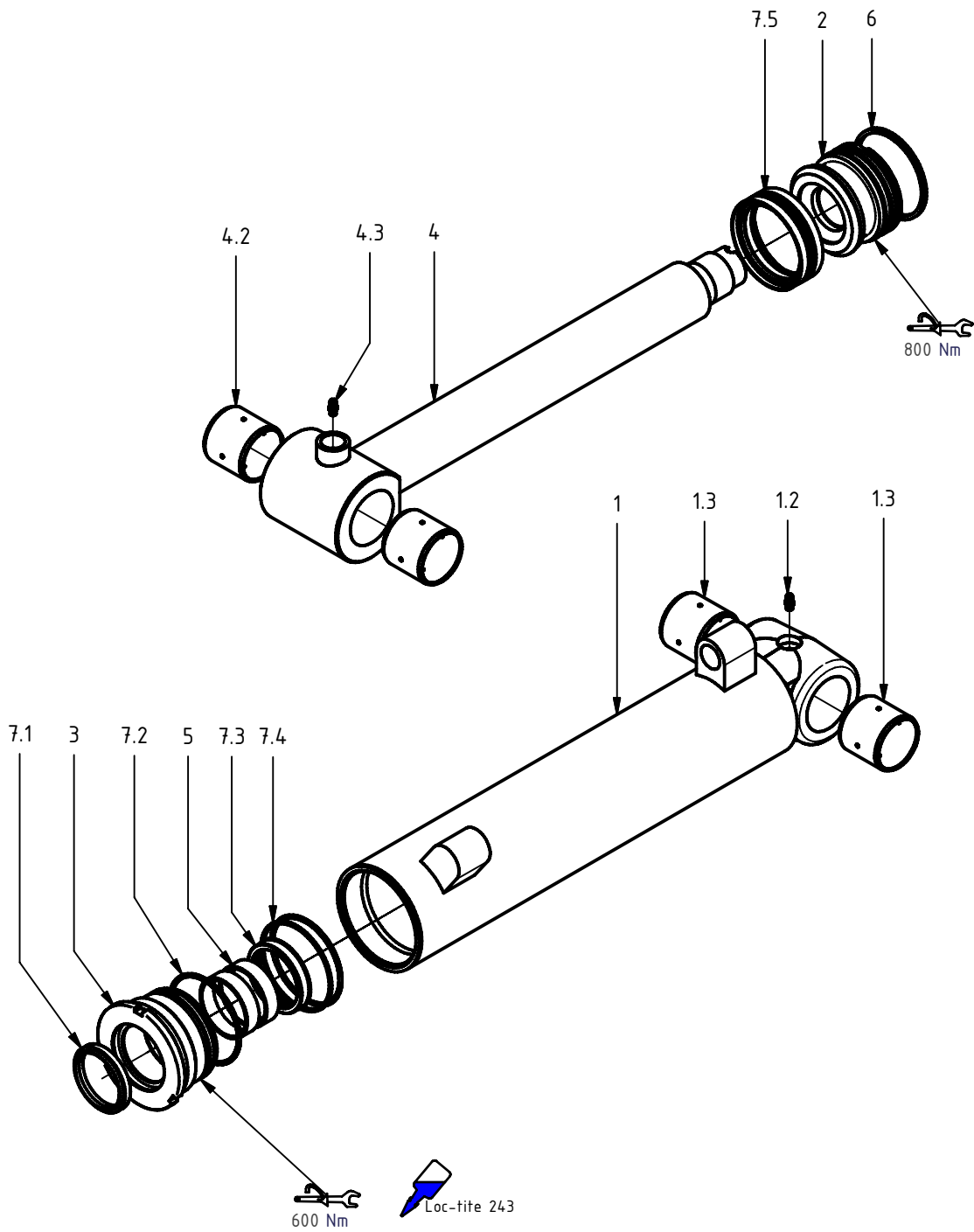
S/N 027-9913 & up

SuperGrip 360



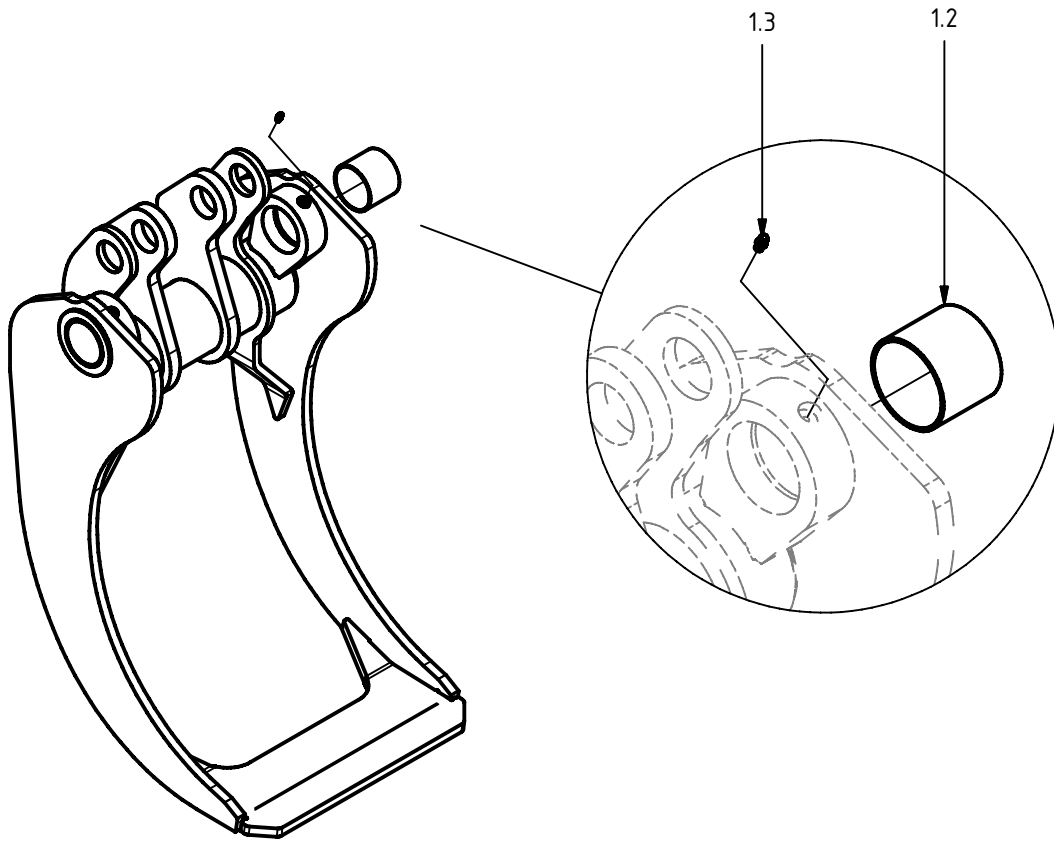
Item	Qty.	Part Number	Description	Notes
1	1	0680001	Frame	
2	1	0680135	Grapple arm, male	
3	1	0680131	Grapple arm, female	
4	2	0680030	Push rod asm.	
5	1	0150002	Hydraulic cylinder $\varnothing 90/56$	
6	4	0680009	Pin	$\varnothing 70 \times 82$
7	1	0680075	Pin	$\varnothing 50 \times 294$
8	1	0680077	Pin	$\varnothing 50 \times 147$
9	2	0680015	Pin	$\varnothing 50 \times 99$
10	8	0680021	Washer	
11	8	0680054	Washer	
12	1	0660263	Nut	
13	4	0104616	Hex hd. Cap Screw	ISO 4014 - M20x100
14	3	0104502	Socket hd. Cap Screw	ISO 4762 - M16x110
15	2	0104132	Socket hd. cap screw	ISO 4762 - M16x160
16	3	0106030	Hex Nut	ISO 4032 - M16
17	4	0106032	Hex nut	ISO 4032 M20
18	1	0130061	Adapter str.	10-12f4omxs
19	1	0130107	Adapter str.	10F40MX

Hydraulic cylinder $\varnothing 90/56$



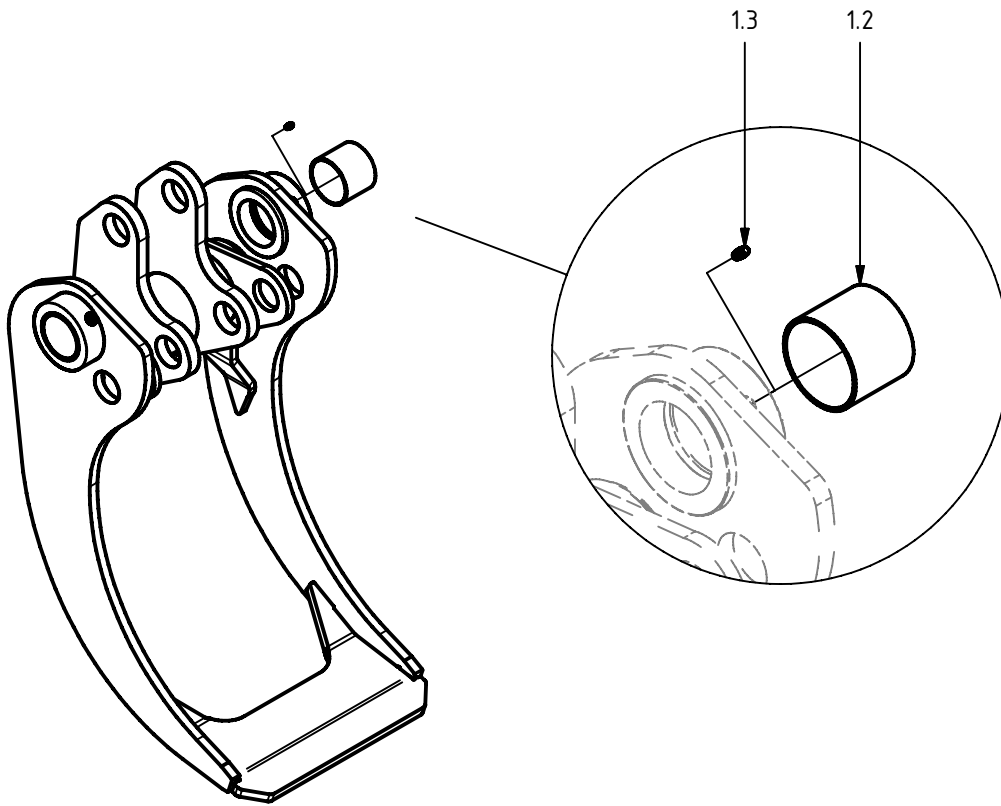
Item	Qty.	Part Number	Description	Notes
1	1	0150505	Barrel asm.	incl. item #1.3-1.3
1.2	1	0114004	Grease Fitting	M6x1
1.3	2	0680073	Plain bearing	Ø50/55x50
2	1	0150506	Piston	90/56
3	1	0150507	Gland	90/56
4	1	0150508	Rod asm.	incl. item #4.2-4.3
4.2	2	0680073	Plain bearing	Ø50/55x50
4.3	1	0114004	Grease Fitting	M6x1
5	2	0150525	Guide Ring	61/56 x 15-PF
6	1	0150528	Piston Ring	90 S
7	1	0121077	Seal kit 90/56	
7.1	1	-	Dust Seal	PA 56/66 x 7 x 10
7.2	2	-	O-ring	84,5 x 3,0
7.3	1	-	Rod Seal	SI/L 56/71 x 12,5
7.4	1	-	Backup Ring	85/90 x 1,3
7.5	1	-	Piston Seal	M/R-PF 90/75 x 20

Grapple arm, female



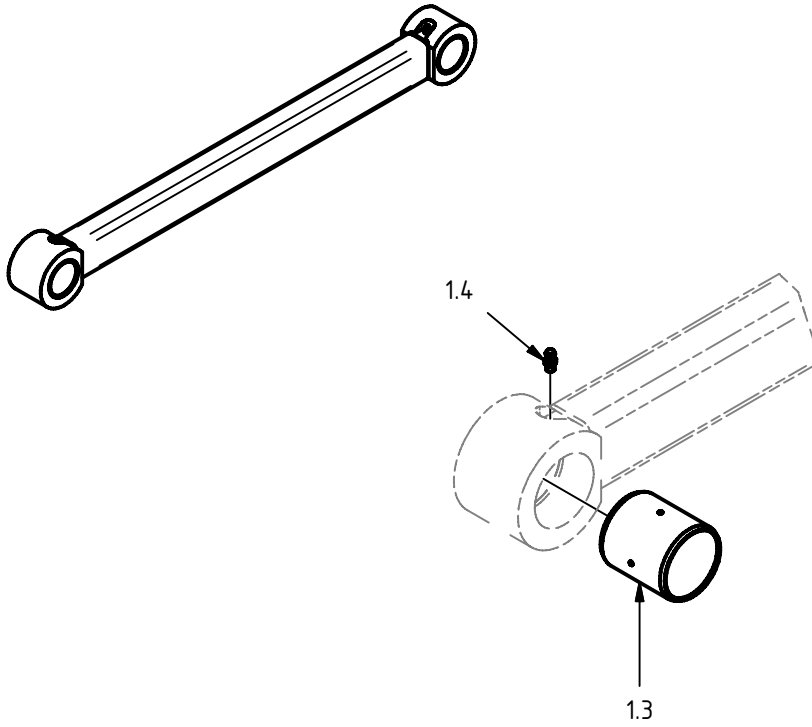
Item	Qty.	Part Number	Description	Notes
1.2	2	0680071	Plain Bearing	70/75x60
1.3	2	0114004	Grease Fitting	M6x1

Grapple arm, male



Item	Qty.	Part Number	Description	Notes
1.2	2	0680071	Plain Bearing	70/75x60
1.3	2	0114004	Grease Fitting	M6x1

Push rod asm.



Item	Qty.	Part Number	Description	Notes
1	1	0680030	Push rod asm.	incl. item #1.3-1.4
1.3	2	0680072	Plain bearing	∅050/055x060 PDE
1.4	2	0114004	Grease Fitting	M6x1

HULTDINS *SuperGrip*™



Hultdin System AB
Skolgatan 12, SE-930 70 MALÅ, Sweden
tel. +46 953 418 00, fax +46 953 418 01
E-mail: sales@hultdins.se

English

Hultdins Inc.
22 Morton Avenue East
Brantford, Ontario, Canada N3R 7J7
tel (519) 754-0044, fax (519) 754-1569
E-mail: info@hultdins.com