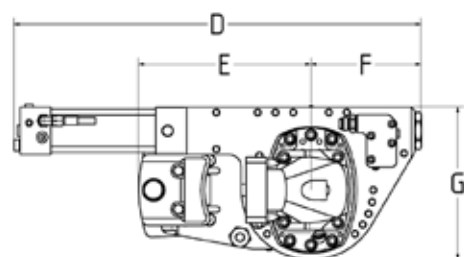
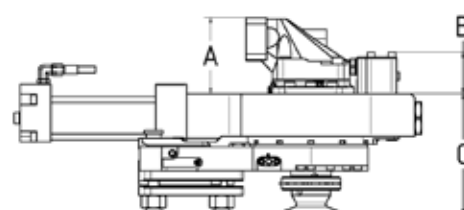
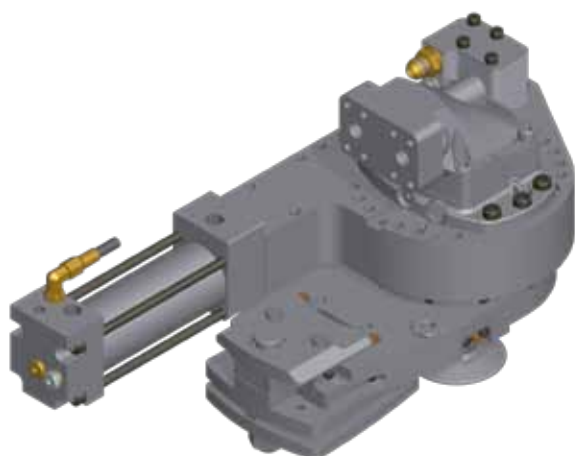




# HULTDINS SuperCut™



## Features

- Compact and completely sealed saw unit
- Automatic chain tensioning
- Proportional chain lubrication
- 90 degrees bar feed angle
- Built in bar feed cylinder
- No hoses in saw housing
- Prepared for digital cut control

## SuperCut 300-3/4"

**40cm<sup>3</sup>**    **60cm<sup>3</sup>**  
Parker            Parker

Saw motor displacement	cm <sup>3</sup>	40	60
Weight incl. saw motor	kg	81	84
Min. working pressure	MPa	18	18
Min. oil flow	l/min	172	172
Proportional chain lubrication	ml	10 / 25	10 / 25
Saw bar, max. length 3/4"	cm	134	134
Height motor , A	mm	129	142
Height cut control, B	mm	70	70
Height , C	mm	224	224
Total length, D	mm	687	687
Max. length bar holder, E	mm	291	291
Length, F	mm	186	186
Width, G	mm	258	258
Saw chain		3/4"	3/4"
Max. saw chain speed		See recommendations from each saw chain manufacturer	
Max. power to saw chain		See recommendations from each saw chain manufacturer	

0113-7000546-EN



Hultdin System AB, Skolgatan 12, SE-930 70 Malå, Sweden

Tel: 0953-418 00, Fax: 0953-418 01, E-mail: sales@hultdins.se

[www.hultdins.se](http://www.hultdins.se)

Med reservation för ev. förändringar och felaktigheter