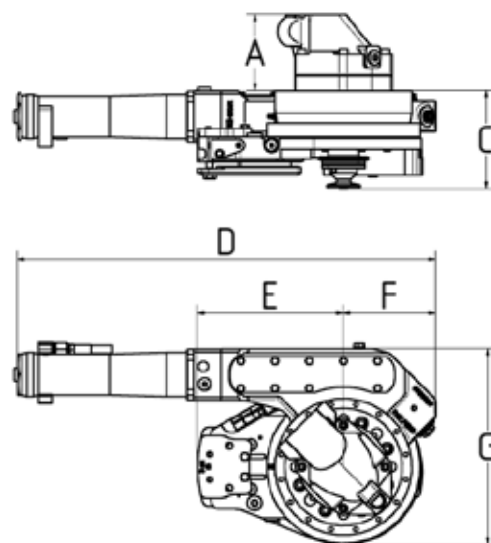




HULTDINS SuperCut™



Features

- Automatic chain tensioning
- Proportional chain lubrication
- 90 degrees bar feed angle
- Built in bar feed cylinder
- Saw bar home sensor - option
- Check-valve for drain circuit - option

SuperCut Standard

10 cm³ **19 cm³**
Parker Parker

	cm ³	10 cm ³ Parker	19 cm ³ Parker
Saw motor displacement	cm ³	10	19
Weight incl. saw motor	kg	37	41
Min. working pressure	MPa	16	16
Min. oil flow	l/min	60	85
Proportional chain lubrication	ml	6	6
Saw bar, max. length	cm	unlimited	unlimited
Height motor, A	mm	105	112
Height, C	mm	142	144
Total length, D	mm	612	612
Max. length bar holder, E	mm	213	213
Length, F	mm	135	135
Width, G	mm	287	287
Saw chain	mm	.404	.404
Max. saw chain speed	See recommendations from each saw chain manufacturer		
Max. power to saw chain	See recommendations from each saw chain manufacturer		

0113-7000543-EN



Hultdin System AB, Skolgatan 12, SE-930 70 Malå, Sweden

Tel: 0953-418 00, Fax: 0953-418 01, E-mail: sales@hultdins.se

www.hultdins.se

Subject to any changes and errors